

Speaker Source Selector

Intellitec's Speaker Source Selector allows RV's and Van Conversions to share the same four speakers for both radio and television sound.

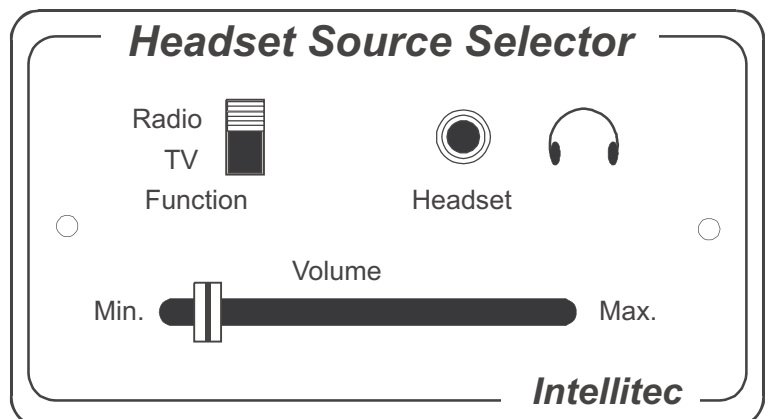
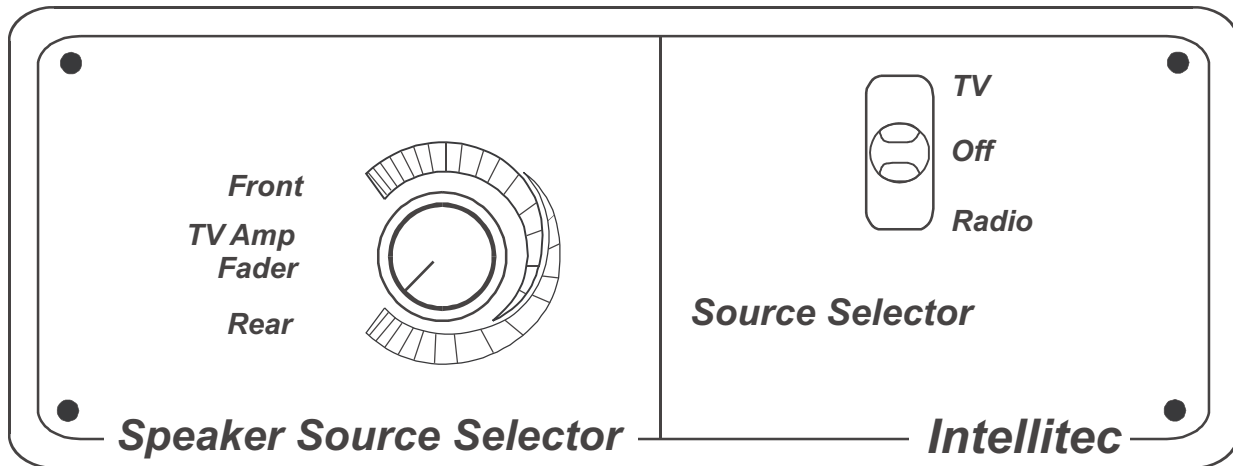
When the three way toggle is set to the radio position, sound passes through the unit to the speakers without being affected. When the three way toggle is set to the television position, television sound enters the unit from the speaker jack of the television and is amplified by a pair of 3 Watt amplifiers, one for the front speakers and one for the rear speakers. The television volume is controlled by the volume control on the television.

Controls on the front of the panel consists of a three position toggle switch and a television sound fader control. The three position switch allows radio, off, and television selections.

The fader control allows the television sound to be smoothly blended from the front to the rear. Fading and balance for the radio is accomplished through the radio controls when the selector switch is in the radio position.

Installation: The unit is installed in a location convenient to the radio/television sources. All that is needed to install the unit is: all eight speaker wires, the eight wires from the radio for the speakers, the television sound speaker jack, a switched 12 Volt wire for the amplifiers, and a ground wire. See *the wiring diagram on the back of this page*.

Optional headphone jacks: The unit is capable of accepting optional (up to four) headphone jacks. Each jack has a selector switch for radio or television, an individual volume control, and a standard 1/8" headphone jack.



 **Intellitec**
1485 Jacobs Rd.
Deland, FL 32724
386.738.7307

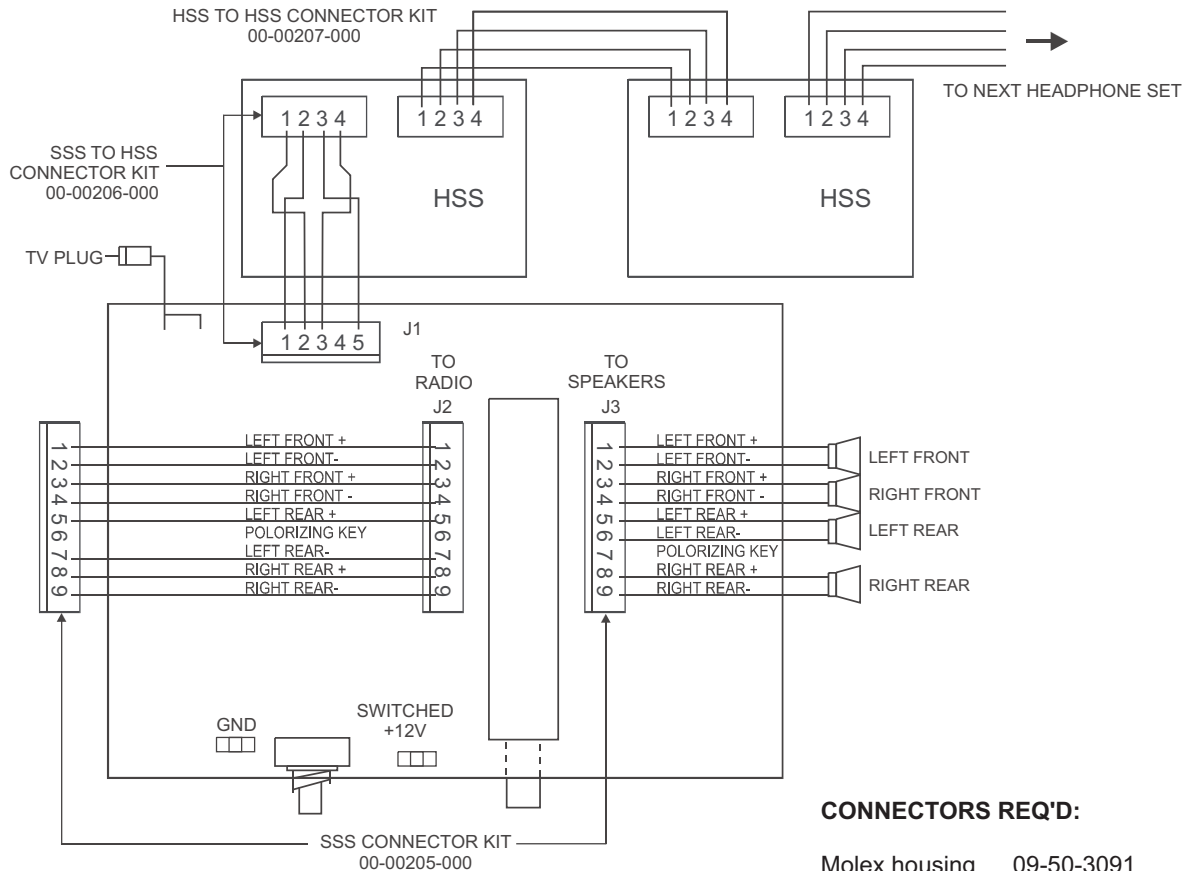
P/N 53-00190-000 Rev. B 032119

Speaker Source Selector

Specifications:

Part Number:	<u>00-00190-000</u>
Operating voltage:	9 to 16 Volts DC
Audio output:	3 Watts max. into 8 ohms, (ea. channel) 5 Watts max. into 4 ohms, (ea. channel)
Frequency Response:	40-15000 HZ
Distortion:	Less than 1% at 2.5 Watt output power

Wiring Diagram



CONNECTORS REQ'D:

Molex housing	09-50-3091	(Qty 2)
Molex contacts	08-50-0106	(Qty 16)

CONNECTOR (OPTIONAL) FOR REMOTE HEADPHONE JACKS

Molex housing	09-50-3051	(Qty 1)
Molex contacts	08-50-0106	(Qty 4)



Intellitec

131 Eisenhower Lane North
Deland, FL 32724
386.738.7307

P/N 53-00190-000 Rev. B 032119