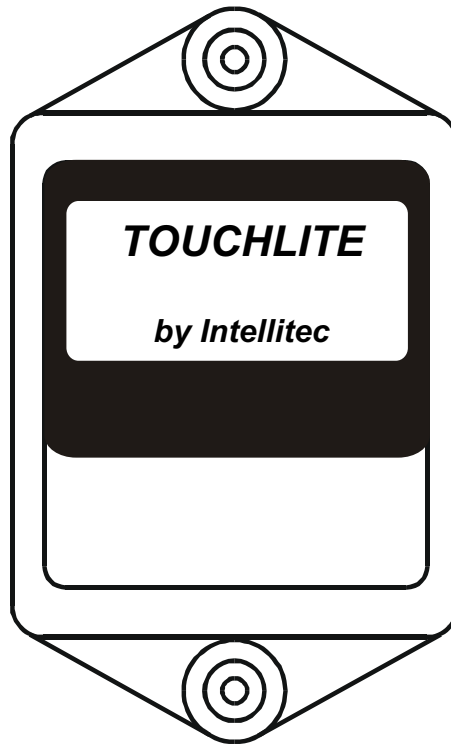


TOUHLITE™

INSTALLATION INSTRUCTIONS



00-00098-000

Intellitec's TouchLite is a sensor pad activated control for outdoor lighting. When wired into an existing 12 Volt outdoor porch light, it provides 30 seconds of light to allow the user to find the door key and unlock the door in a darkened area.

Intellitec

1485 Jacobs Rd.
Deland, FL 32724
386.738.7307 / 1.800.251.2408

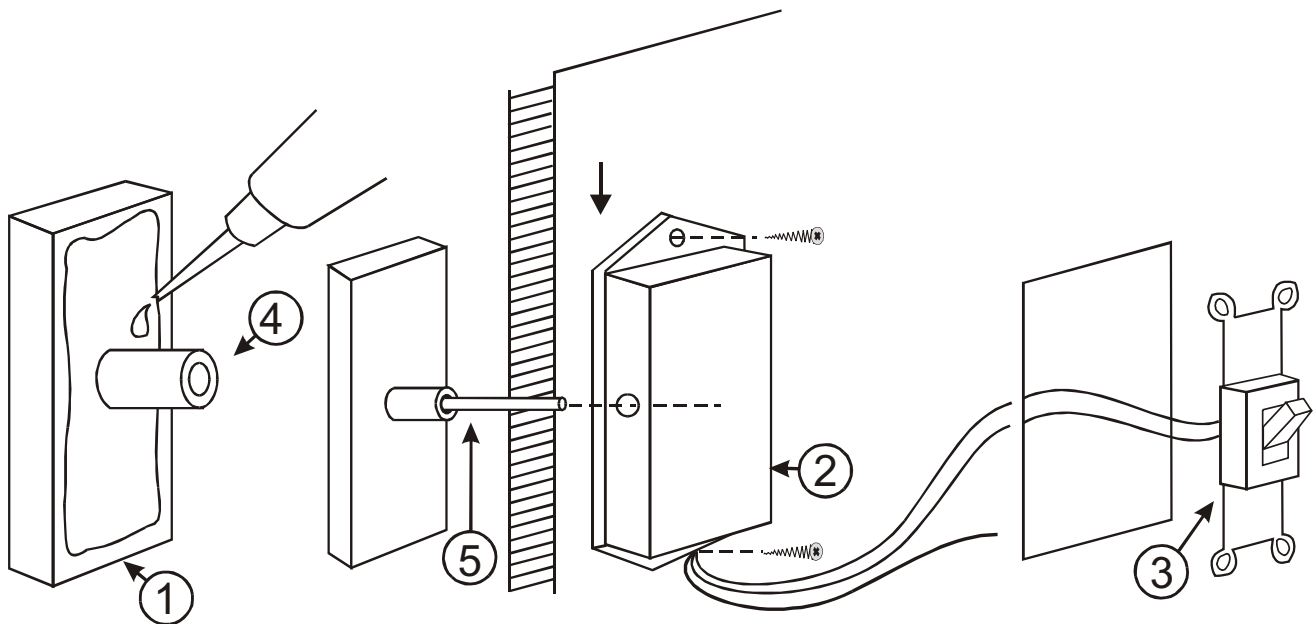
TOUHLITE™

INSTALLATION INSTRUCTIONS

1. Locate a convenient spot near the door on the outside of your coach for the touch plate (1). Somewhere that is within easy reach when you stand on the ground. Make sure there is enough room on the inside of your coach at the same location for the control box (2). Drill a 3/8" hole through the wall where the touch plate will be centered. You will need to get wires from the control box for the existing light switch and ground (3).
2. Spread a layer of silicone sealer on the back of the touch plate and insert the peg (4) on the touch plate in the hole from the outside of your coach. Be careful not to get any sealer in the peg (4). A sharp rap with the palm of your hand will lock the touch plate in place.
3. Gently insert the tube (5) into the hole from the inside until it bottoms in the touch plate. Trim the tube on the inside with scissors so that about 1/8" projects beyond the wall. Insert the spring into the tube.
4. Mount the control box on the inside wall so the 1/8" projection of the tube enters the hole in the back of the box. Fasten the box in place with the two screws.
5. Connect the BLACK wire to GROUND. The BROWN and GRAY wires can be connected to the existing porch light switch, BROWN to +12 volts and GRAY to the PORCH LIGHT.
6. The porch light should come on immediately when the TouchLite panel is touched and remain ON for 20 to 40 seconds afterwards.

NOTE:

The TouchLite is rated for 12 VDC operation up to 1.5 Amps. It will operate up to an 18 Watt lamp.



Intellitec

1485 Jacobs Rd.
Deland, FL 32724
386.738.7307 / 1.800.251.2408