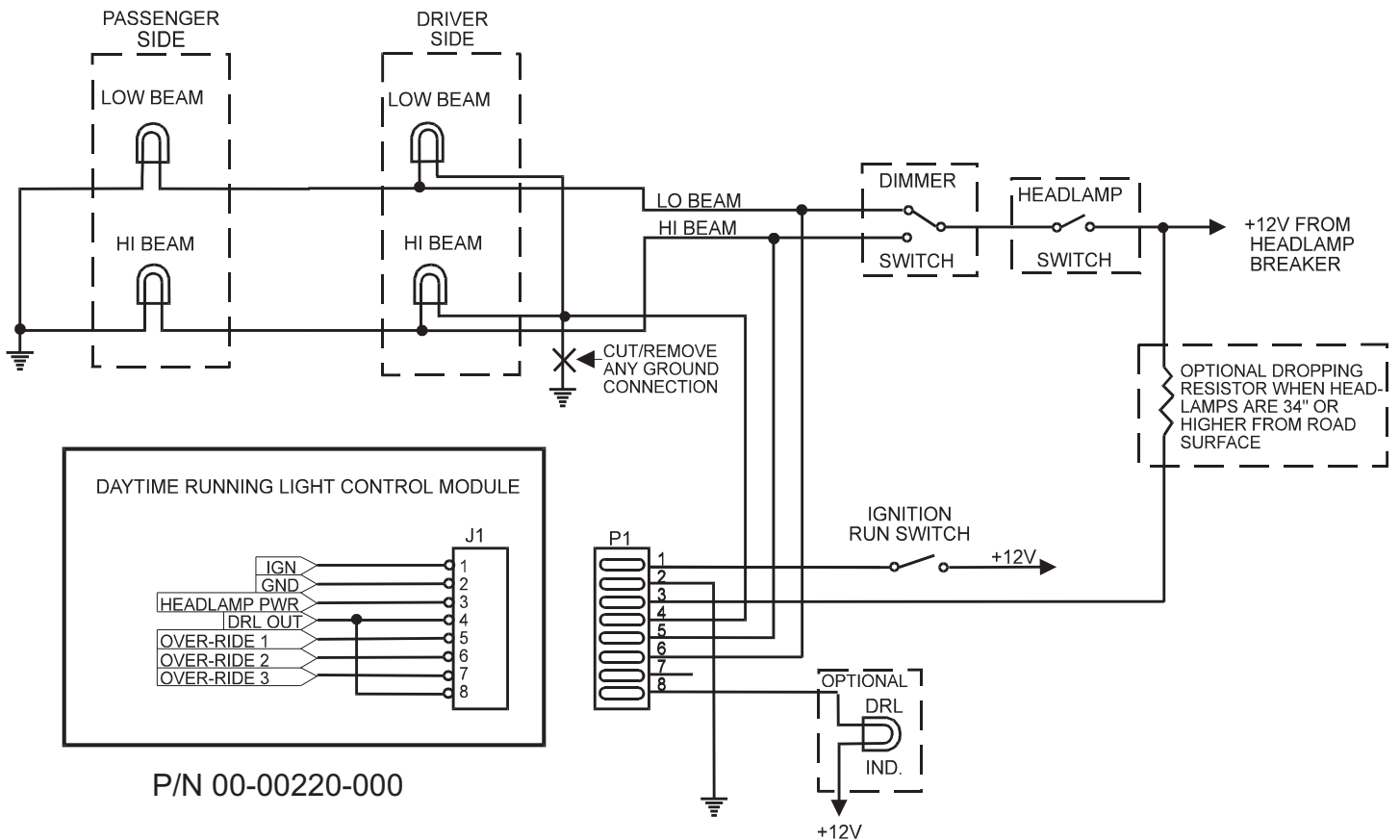


DAYTIME RUNNING LIGHT CONTROL

WIRING DIAGRAM



THE INTELLITEC DAYTIME RUNNING LIGHT CONTROL, AUTOMATICALLY WIRES THE HI BEAM HEADLAMPS IN SERIES AND TURNS THEM ON, APPROXIMATELY 20 SECONDS AFTER THE IGNITION SWITCH IS PLACED IN THE "RUN" POSITION. THE DRL INDICATOR WILL ILLUMINATE.

ACTUATION OF THE PARKING BRAKE, AUTOMATICALLY DISABLES THE OPERATION OF THE DRL CONTROL, RESTORING THE HI BEAM HEADLAMPS TO THE "OFF" STATE, UNLESS THE HEADLAMP SWITCH IS TURNED "ON" AND THE DIMMER SWITCH IS IN THE "HI BEAM" POSITION.

OPERATION OF THE HEADLAMP SWITCH, AUTOMATICALLY OVERRIDES THE DRL CONTROL AND CAUSES THE APPROPRIATE HI OR LO BEAM LAMPS TO ILLUMINATE. DEACTIVATION OF THE HEADLAMP SWITCH CAUSED THE DRL LAMPS TO ILLUMINATE AFTER APPROXIMATELY 1 SECOND.

IF A HI BEAM LAMP IS BURNED OUT OR INOPERABLE, THE DRL INDICATOR WILL FLASH APPROXIMATELY 1 TIME, PER SECOND.

Intellitec

1485 Jacobs Rd.
Deland, FL 32724
386.738.7307