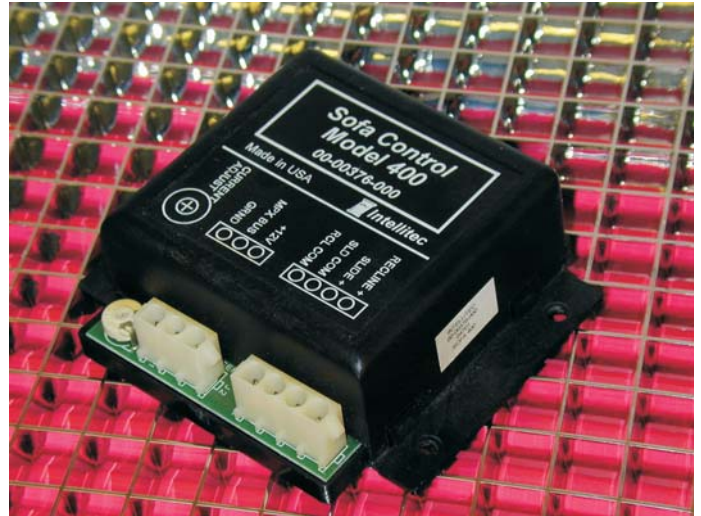


Sofa Controller 200/400

The **MONOPLEX SOFA CONTROLS**, (Intellitec Part Numbers 00-00375-000 Model 200 and 00-00376-000 Model 400) are intended for use in conversion vehicles to control the operation of a two-way or four-way, slide-recline power sofa. They allow easy wiring of multiple switches and provide electronic shutdown at the end of travel to prevent annoying circuit breaker or fuse openings.

The **MONOPLEX** System requires only one light-gauge wire and ground to connect the multiple switches. The control is normally located near or on the sofa so the motor wires can be easily connected. A single 12 gauge wire feeds power to the control from the fuse block.

To operate the sofa, a switch is pressed and held in the direction of the function desired (slide forward or back, or recline up or down). After the sofa has reached its desired position, the switch is released. If the switch is held until the sofa reaches its mechanical stops, the control will automatically shut off the power. This feature also prevents damage to the sofa if it is operated with someone sitting on it.



 **Intellitec**
1485 Jacobs Rd.
Deland, FL 32724
386.738.7307

P/N 53-00376-000 Rev. C 032619

Sofa Controller 200/400

How Does It Work?

The **MONOPLEX SOFA CONTROL** utilizes relay switching to control power to the two sofa motors (See Figure 1). To limit the amount of current drawn, only one motor is allowed to operate at any given time. When the unit is at rest, all the motor leads are connected to ground. To operate a sofa motor, the controller applies 12 volts to the selected sofa motor.

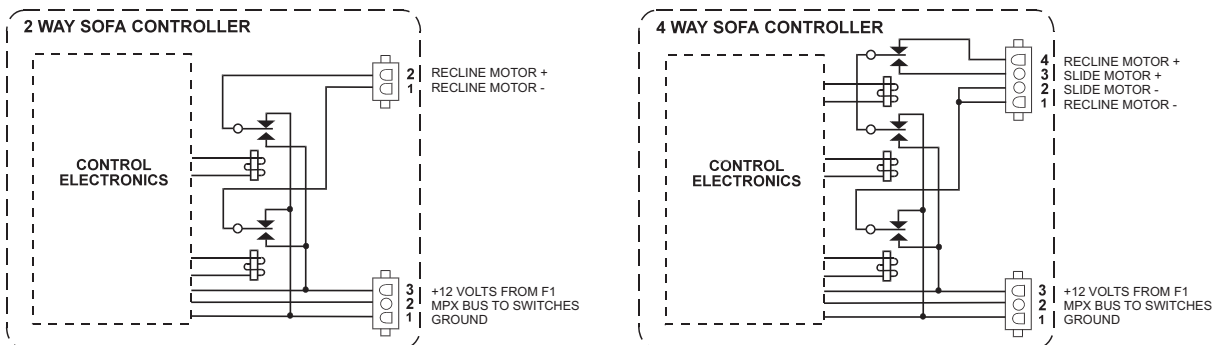
To prevent damaging the motors or opening of the fuse or circuit breaker, the controller senses the current drawn by the motors. If the current exceeds a preset level, the controller shuts off. To restart the motor, press the switch in another direction.

The controller operates by sensing the voltage on the **MONOPLEX** bus wire. When the **MONOPLEX** bus is at 12 volts, the motors are at rest. Each switch function sends a different load to the controller which it interprets as a certain direction.

Specifications:

Part Number:	00-00375-000 Model 200 00-00376-000 Model 400
Output Current:	1 Amp maximum
Standby Current:	Less than 2 milliamps
Ambient Temperature Range:	-40°C to +85°C
Normal Input Voltage Range:	10 to 18 volts
Short Term Over Voltage Protection to:	+26 volts
Reverse Voltage Protection to:	-300 volts
positive Voltage Spike Protection to:	+150 volts
Operating Environment:	Out of direct weather

Typical Installation Diagram



 **Intellitec**
1485 Jacobs Rd.
Deland, FL 32724
386.738.7307

P/N 53-00376-000 Rev. C 032619



 **Intellitec**
1485 Jacobs Rd.
Deland, FL 32724
386.738.7307

P/N 53-00376-000 Rev. C 032619