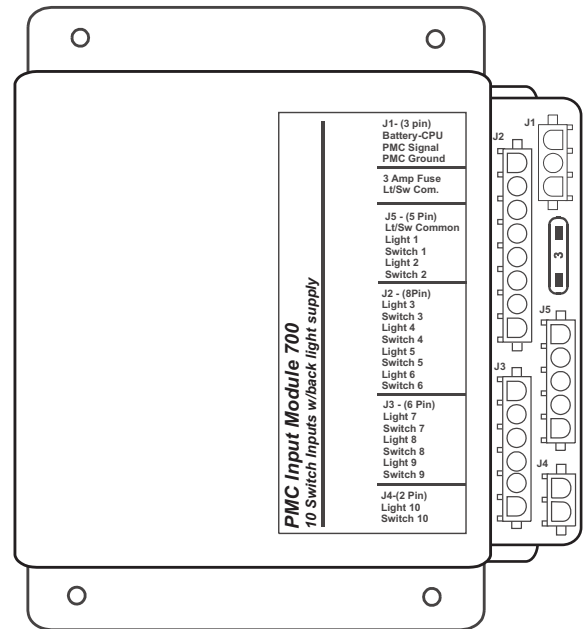


PMC Input Modules 700 and 710 are members of Intellitec's Programmable Multiplex Control family. They work in combination with the PMC CPU and other standard, semi-custom, or custom I/O modules.

This module has ten input connections for rocker or push-button switches and is intended to be used when back-lit switches are scattered. When switches are located in a group, consider the 906 and 909 switch adapters.

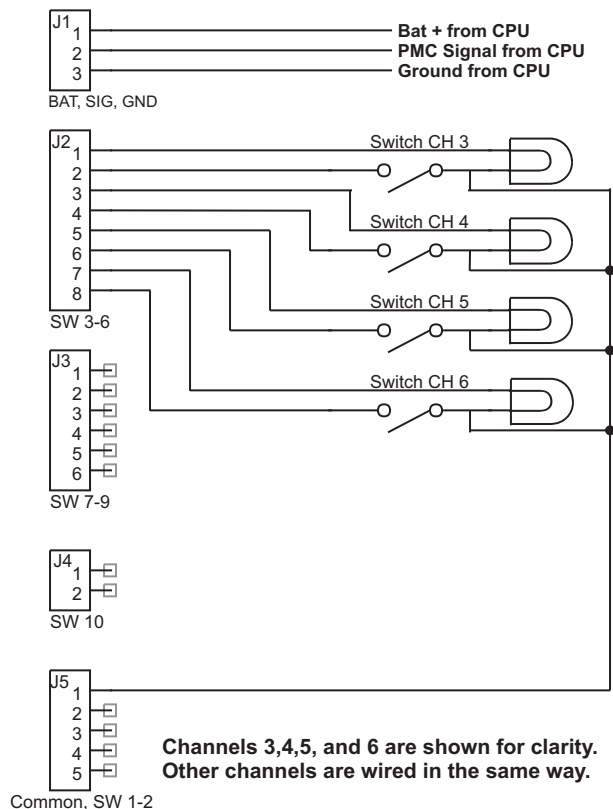
A connection for back-lighting is provided for each switch. The switch back-light lamps are controlled by the module. When the switch is off, half of the battery voltage is supplied to the lamp for back-lighting. When the switch is turned on, full battery voltage is applied to the lamp.



All input information is communicated directly to the CPU via the PMC communications link. The CPU utilizes this information to control other PMC modules.

All of the harnesses are connected with AMP Mate-N-Lok connectors to reduce installation time and errors. The module's address may be set for 1 of 16 addresses (A-P) via jumpers on the circuit board.

The approximate module dimensions are 6.375" X 6.250" X 1.875" (16.2mm X 15.9mm X 4.8mm). The module should be installed in a protected environment inside of the vehicle.





SPECIFICATIONS

General Connections

		00-00645-710	00-00645-700
Nominal Vehicle Voltage		12V	24V
J1-1	Battery + from CPU	3 Amps Max.	3 Amps Max
J1-2	PMC Signal from CPU	18 awg Min.	18 awg Min.
J1-3	PMC Ground from CPU	14 awg Min.	14 awg Min.
J5-1	Switch Lamp + Common	3 Amps Max.	3 Amps Max.

CHANNEL DESIGNATIONS

Channel	Connection	Type
1	J5-2	Lamp out, Switch 1
1	J5-3	Input, Positive Ch 1
2	J5-4	Lamp out, Switch 2
2	J5-5	Input, Positive Ch 2
3	J2-1	Lamp out, Switch 3
3	J2-2	Input, Positive Ch3
4	J2-3	Lamp out, Switch 4
4	J2-4	Input, Positive Ch 4
5	J2-5	Lamp out, Switch 5
5	J2-6	Input, Positive Ch 5
6	J2-7	Lamp out, Switch 6
6	J2-8	Input, Positive Ch 6
7	J3-1	Lamp out, Switch 7
7	J3-2	Input, Positive Ch 7
8	J3-3	Lamp out, Switch 8
8	J3-4	Input, Positive Ch 8
9	J3-5	Lamp out, Switch 9
9	J3-6	Input, Positive Ch 9
10	J4-1	Lamp out, Switch 10
10	J4-2	Input, Positive Ch 10

MATING CONNECTIONS

Designator	Connector	Mating Part #	Contact, Typical	
			for 14-18 AWG	for 10-12 AWG
J1	3 Pin Amp Mate-N-Lok	1-480700-0	350919-3	
J2	8 Pin Amp Mate-N-Lok	640586-1	350919-3	640310-3
J3	6 Pin Amp Mate-N-Lok	640585-1	350919-3	640310-3
J4	2 Pin Amp Mate-N-Lok	1-480698-0	350919-3	640310-3
J5	5 Pin Amp Mate-N-Lok	1-480763-0	350919-3	640310-3

MODULE SETTINGS

Module can be set for 1 of 16 addresses.
 Set four jumpers on "Add Select" jumper block
 Per table on right.

X = Jumper is Out

JUMPERS

4 3 2 1	Address
0 0 0 0	A
0 0 0 X	B
0 0 X 0	C
0 0 X X	D
0 X 0 0	E
0 X 0 X	F
0 X X 0	G
0 X X X	H

JUMPERS

4 3 2 1	Address
X 0 0 0	I
X 0 0 X	J
X 0 X 0	K
X 0 X X	L
X X 0 0	M
X X 0 X	N
X X X 0	O
X X X X	P