

Liquid Level Monitor System

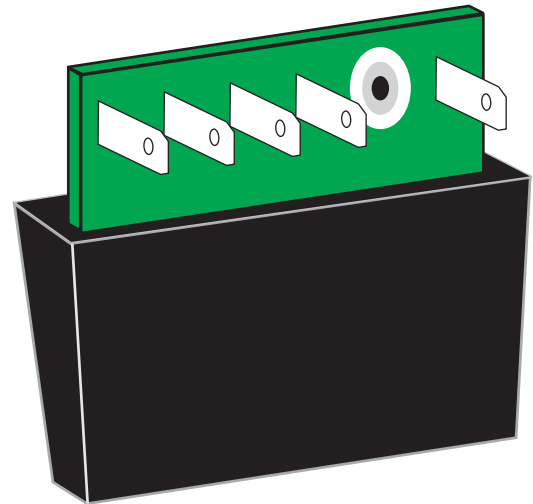
Intellitec's new *Liquid Level Monitor* uses new technology to sense the levels of the liquids in the holding tanks of a RV. This new technology drastically improves the long term reliability of the system by minimizing the corrosion and gas bubble accumulation at the probes, which often renders the common monitors ineffective early in the coach's life.

The system consists of a set of electronic modules mounted at each tank and a display panel. The electronic modules each generate a noncorroding signal that is applied to the probes in that tank. These signals are sensed by the circuitry in the module and converted to a single signal that is transmitted back to the display panel on a single wire.

The electronic modules mount on the tank to either the empty or 1/4 probe, utilizing the probe screws. The remaining four wires connect to the other probes with Fast-on type terminals, in any order to make the installations neat and quick.

These modules are encapsulated to allow them to be installed on the tanks where they may be exposed to high levels of moisture.

A Common wire and a Select wire connect each module to the display panel, allowing the system to be wired with a minimum amount of wire.



Part Number 00-00881-000
Approximate size 1-1/2 x 1-2/5

The display panel can take numerous forms. It can be stand-alone or incorporated into a larger panel that includes the display of other functions, such as the Energy Management System display, the thermostat, and the generator control panel.

A very important benefit of this system is that since the operation doesn't cause corrosion or gas bubble accumulation as with other common systems. This system can be designed to continually monitor the levels in the tanks and provide a warning to the coach owner that the tanks are near empty for the fresh water tank, or full for the black and gray water tanks.



Intellitec

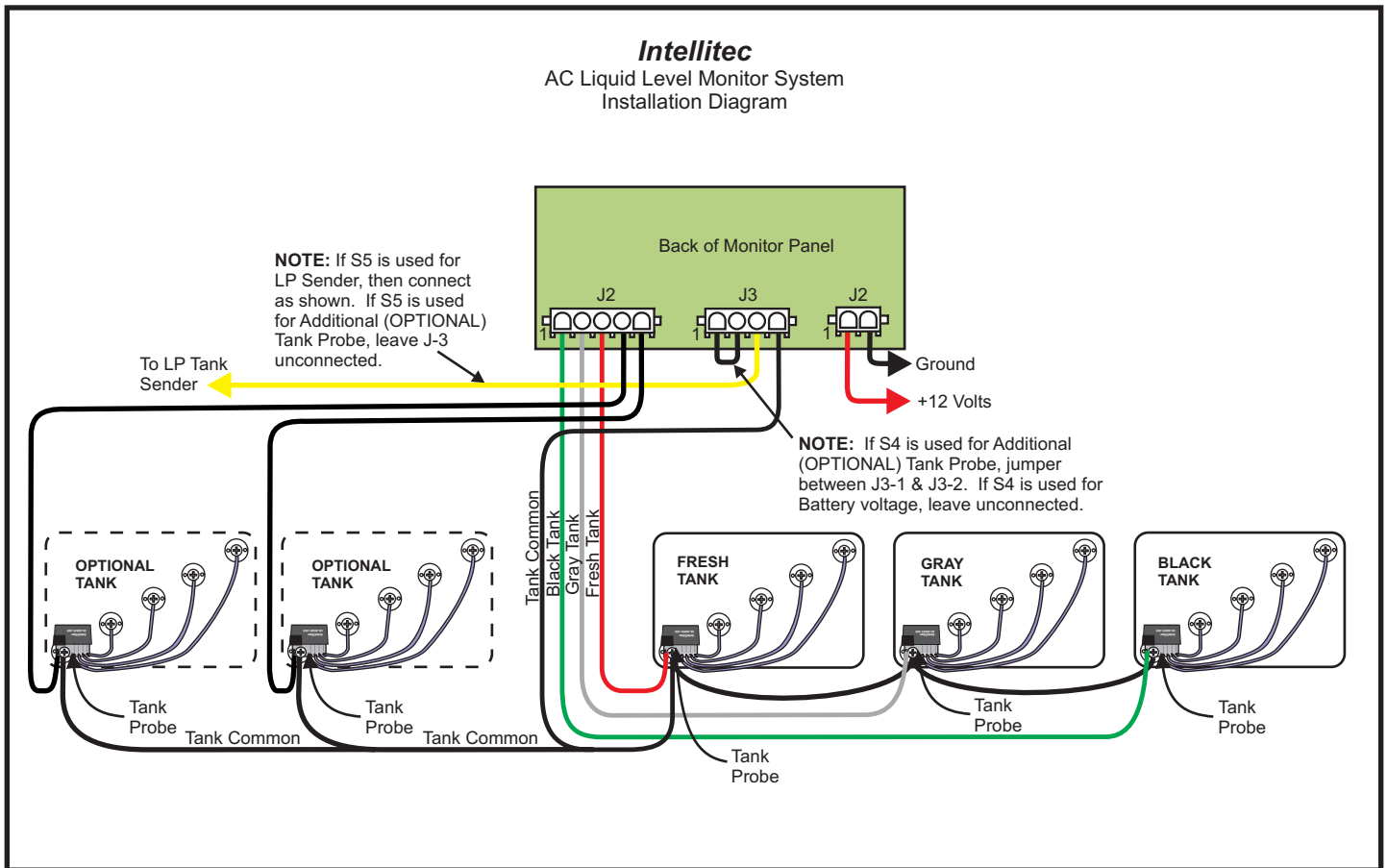
131 Eisenhower Lane North
Lombard, IL 60148
630.268.0010 / 1.800.251.2408
FAX 630.916.7890

Liquid Level Monitor System

SPECIFICATIONS

Module Part Number 00-00881-000
Operating voltage 9 to 16 Volts DC

WIRING DIAGRAM



Intellitec

131 Eisenhower Lane North
Lombard, IL 60148
630.268.0010 / 1.800.251.2408
FAX 630.916.7890

P/N 53-00881-000 Rev. B 041405