

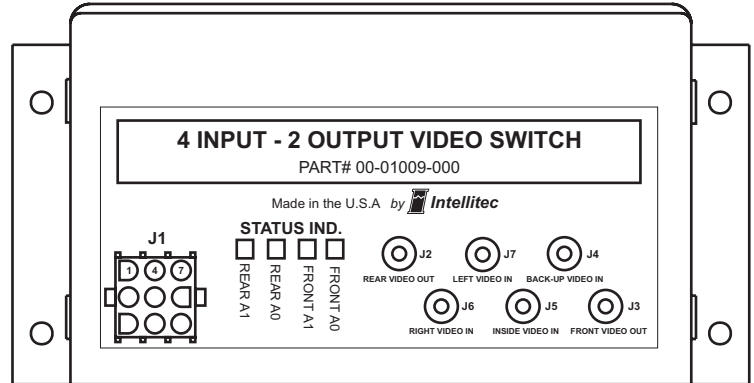
Four Input Channel to Two Output Channel Video Switch

Intellitec's Four Channel Video Switcher is intended for use in selecting the video source for up to two monitors from four different video sources. The selection is done from remotely mounted rotary switches that are connected to the controller via simple two-wire cable. This simple switching feature minimizes the amount of wiring and lessens the mistakes in wiring when installing the units.

In addition to the switch selectable video source, the front monitor video output is also controlled by three positive going signals that over-ride the switch selection. These inputs can be from a turn signal, or back-up signal in a motor home so the front display monitor will always show the most important video. The turn signal inputs are configured to keep the input switched to their respective cameras for approximately two seconds after the signal goes away. This allows the pulsing signal from the turn signal to be used for switching. The back-up signal has priority over the turn signal inputs.

A 75 Ohm termination is provided for each of the video camera inputs, which are switched electronically, and video amplifiers are provided to drive the video outputs at unity gain into a 75 Ohm line impedance at standard NTSC composite video signal levels.

This unit is designed to withstand the harsh electrical environment of RV and will withstand load dump and spiking, and the video inputs and outputs are ESD protected.



The unit is also equipped with diagnostic LED's for the Front and Rear Monitor outputs to indicate which video source is active. Sources and Destinations are displayed per the table below:

| FRONT A0 | FRONT A1 | REAR A0 | REAR A1 | SOURCE CAMERA | DESTINATION MONITOR |
|-----------|-----------|-----------|-----------|---------------|---------------------|
| OFF | OFF | ON or OFF | ON or OFF | BACK-UP | FRONT |
| ON | OFF | ON or OFF | ON or OFF | INSIDE | FRONT |
| OFF | ON | ON or OFF | ON or OFF | RIGHT | FRONT |
| ON | ON | ON or OFF | ON or OFF | LEFT | FRONT |
| ON or OFF | ON or OFF | OFF | OFF | BACK-UP | REAR |
| ON or OFF | ON or OFF | ON | OFF | INSIDE | REAR |
| ON or OFF | ON or OFF | OFF | ON | RIGHT | REAR |
| ON or OFF | ON or OFF | ON | ON | LEFT | REAR |

The Control Switch for the unit is available as Intellitec p/n 00-01009-110 and is a four position (90 degree) rotary switch, with the necessary control circuitry, wired to a 2 pin Mate-N-Lock connector via a 6 inch long pigtail. It can be bushing mounted to a panel with a 3/8 inch diameter clearance hole. A Control Switch is required for each of the Front and Rear Monitor outputs.

A knob kit is available as Intellitec p/n 01-01009-200 with a knob that is designed to push on to the Control Switch shaft, and a separate snap-in insert with a white line to indicate position.



Intellitec

131 Eisenhower Lane North
Lombard, IL 60148
630 268 0010 / 1 800 251 2408
FAX 630 916 7890

P/N 53-01009-000 Rev. B 111907

Four Input Channel to Two Output Channel Video Switch

Specifications:

Part Number: 00-01009-000 Video Switch Module Module -

Supply Current: 0.05A dc
 Ambient Temperature Range: -40C to +85C
 Normal Supply Voltage Range: 10 to 18 volts
 Short Term Over Voltage Protection: +26 volts
 Reverse Voltage Protection: - 300 volts
 Positive Voltage Spike Protection: +150 volts
 Operating Environment: Interior of vehicle, out of direct exposure to weather

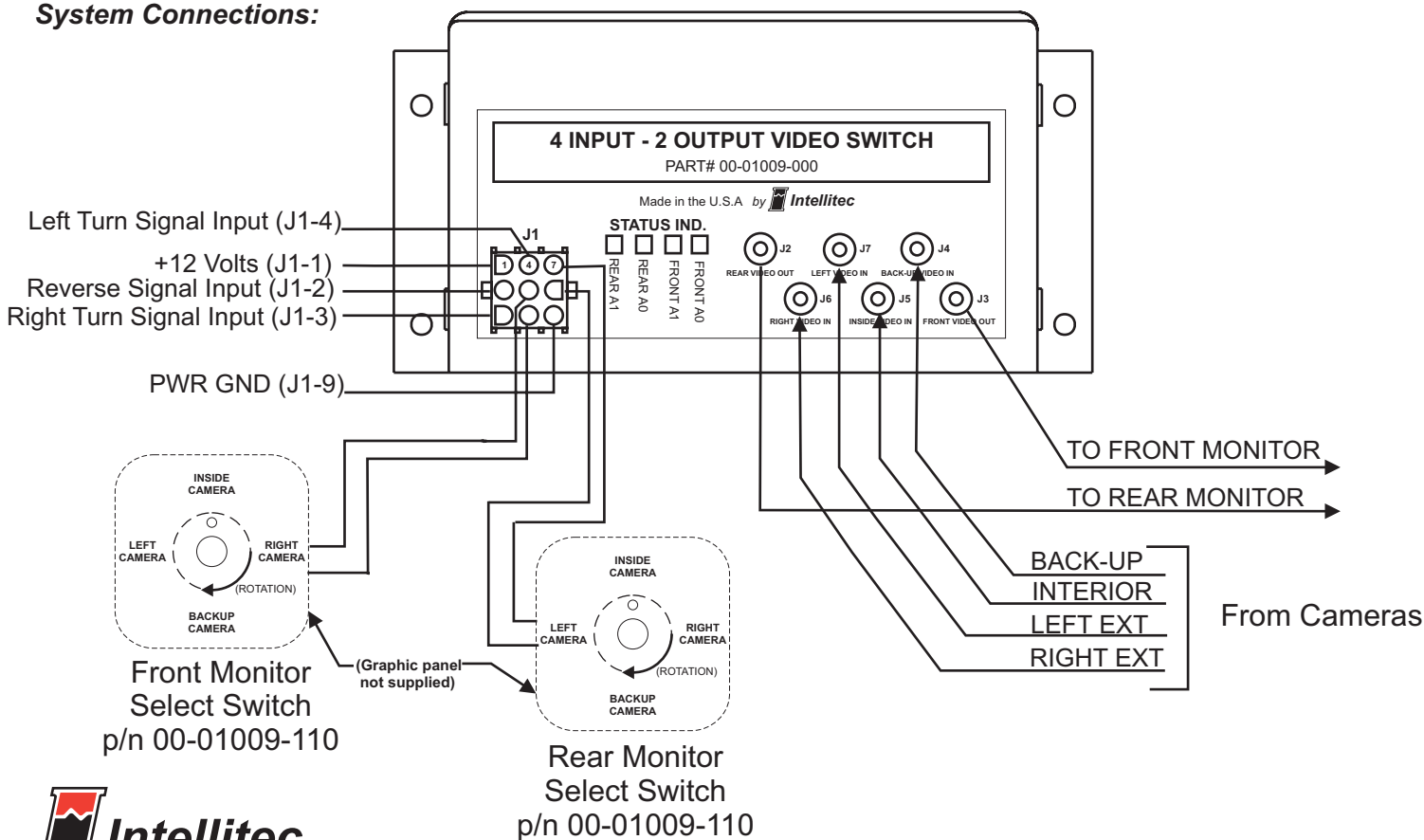
Part Number: 00-01009-110 Video Control Switch -

Configuration: Four Position (90 Degrees) Rotary Switch
 Mounting configuration: 3/8" - 32 threaded bushing - 5/16" (.313") long - supplied with mounting nut
 Maximum panel thickness: 7/32" (.219")
 Shaft Configuration: 1/4" (.250") dia. - .217" flat X 11/32" (.343") long
 Resistance between control inputs J1-5 & J1-6 (Front Monitor) or J1-7 & J1-8 (Rear Monitor) Control:
 Back-Up Camera Select = Open Circuit
 Interior Camera Select = 3.5K Ohms
 Right Camera Select = 2.5K Ohms
 Left Camera Select = 1K Ohms

Part Number: 01-01009-200 Knob Kit -

7/8" Dia. Black plastic push-on knob for video control switch, with black snap-in insert and white index line for position indication.

System Connections:



Intellitec

131 Eisenhower Lane North
 Lombard, IL 60148
 630 268 0010 / 1 800 251 2408
 FAX 630 916 7890

P/N 53-01009-000 Rev. B 111907