

INHIBIT

The inhibit feature can be configured from the GUI to 4 different states.

1. Positive ON
2. Negative ON
3. Positive OFF
4. Negative OFF

Most frequently, used to prevent a disconnect from occurring while the vehicle is running. IE. Connected to ignition.

Inhibit Connection

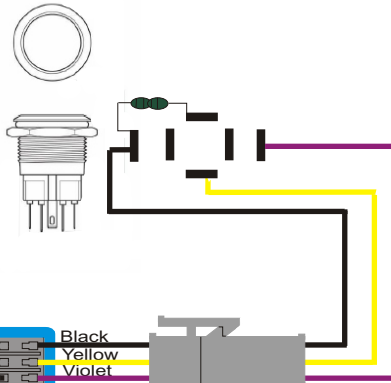
AUX. INPUT

This is a selectable input, and may be configured as positive or negative. Aux input allows the user to force any of the following conditions, as pre-chosen from a menu in the GUI.

1. Disable (no action)
2. Alarm 1
3. Alarm 2
4. Disconnect
5. Mute buzzer
6. Split charge positive sense
7. Force Threshold

Aux. Input Connection

LED Lighted Reset Switch



Notes

Disconnect wire from positive battery terminal and isolate while performing installation
*Verify that the correct relay is used for the amperage requirements of the system
Hole size for switch: 0.866" or 22.0mm
Unplug switch from wire harness, Remove retaining nut from back of switch, insert connector through the hole drilled for switch, Re-attach retaining nut on back side.

Aux 5A Self Protected B+ Output

Aux B+ output supplies a constant-on battery source voltage of up to 5 amps for power critical functions such as clock memory, etc.

This output is self protected, and will shut down upon overload or short circuit. It will resume function once the problem is corrected.

Alarm Common

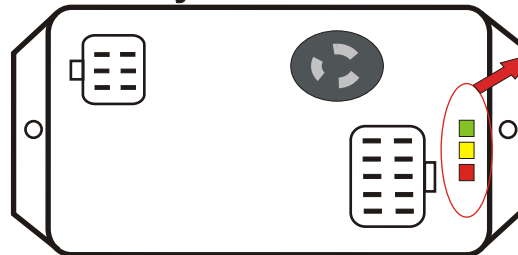
This wire supplies the common voltage, or ground to be used by the two alarm relays. Fuse no greater than 15 amps.

The Yellow wire MAY be joined to the Slate wire if the Aux 5A self protected B+ output is NOT used, and the combined alarm outputs do NOT exceed 5A.

Aux. 5A Self Protected B+ Output

Alarm Common

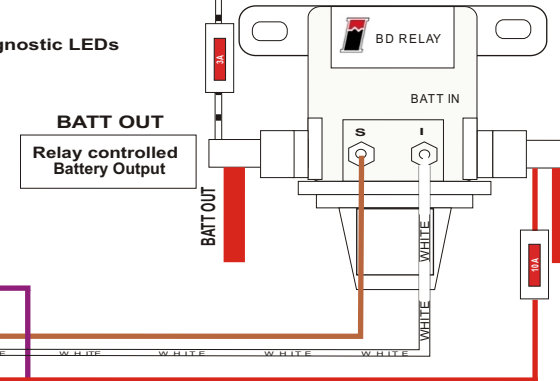
Battery Guard 3000 ECU



Diagnostic LEDs

Battery Disconnect Relay

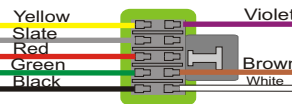
Available in 100 AMP and 250 AMP



BATT OUT
Relay controlled Battery Output

Battery Input

Link directly to positive battery terminal, Fuse or breaker in accordance to relay, as close to battery as possible.



Alarm 2 Relay

This connection gives the user up to a 10A source/ sink output determined by the connection of the Alarm Common lead. This feature can be activated AND configured from the GUI to 4 states:

1. Continuous ON
2. Flashing
3. One Shot
4. Flash 5 times

*Do NOT exceed 15A combined with Alarm 1 relay and Alarm 2 relay at the same time.

Alarm 1 Relay

This connection gives the user up to a 10A source/ sink output determined by the connection of the Alarm Common lead. This feature can be activated AND configured from the GUI to 4 states:

1. Continuous ON
2. Flashing
3. One Shot
4. Flash 5 times

*Do NOT exceed 15A combined with Alarm 1 relay and Alarm 2 relay at the same time.

Vehicle Negative

A	NA	RELEASE: DeLand Revision	DY	03/28/14
REV.	ECL #	DESCRIPTION OF CHANGE	BY	DATE
		THESE DRAWINGS AND SPECIFICATIONS ARE PROPRIETARY TO INTELLITEC PRODUCTS LLC. AND NEITHER THE DRAWINGS THEMSELVES NOR ANY INFORMATION THEREON MAY BE USED WITHOUT WRITTEN PERMISSION OF INTELLITEC PRODUCTS LLC.		
1485 Jacobs Rd. DeLand, FL 32724	ERO# 1824	DRAWN BY/DATE DY / 03/28/14	APPROVAL/DATE	BG 3000 GEN WIRING DIAGRAM
PART DESCRIPTION GENERAL WIRING DIAGRAM FOR BG 3000 12/24 VOLT			PART NUMBER 53-01013-000	