

Flush Mount Fuse Block

Intellitec's Flush Mount Fuse Bloc, part number **00-01032-000** is the ideal answer to the problem of installing a fused distribution panel in a vehicle where a "finished" look is demanded. The Block provides spaces for up to twelve automotive type, ATO fuses. The flush mount fuse block described in this product bulletin provides a single power input. The fuses are divided into two groups of six fuses as shown in the photo displayed to the right. The unit comes with a snap-on cover that, when in place, hides the fuses, fuse puller, and mounting screws.

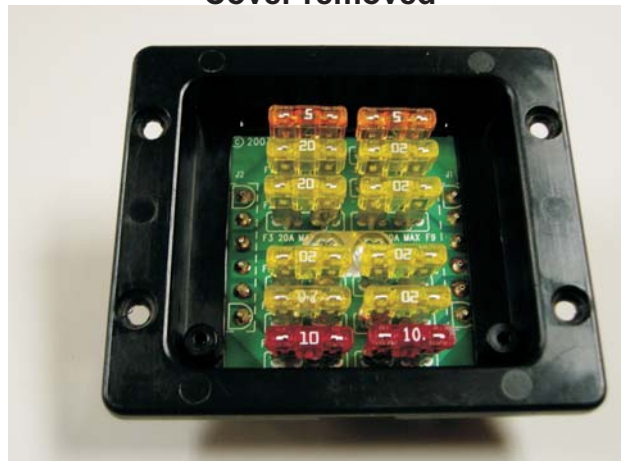


Cover in position

Installation

Mounting consists of cutting a rectangular hole in the mounting surface (see the back of the sheet for actual dimensions) and screwing the block into the wall. All the connections are made at the rear of the block to conceal the wires. A minimum clearance distance of 3 inches behind the pane is recommended for proper installation.

The flush mount fuse panel is designed to be mounted in the interior of the vehicle, not exposed to weather.



MODEL 00-01032-000
(Fuses not included)

Connections

The power from the source is fed into the block via two collar-clamp connectors on the board. The connections to the loads are made through two, 6 pin Mate-N-Lok connectors to make installation easy and fool-proof.



Intellitec

131 Eisenhower Lane North
Lombard, IL 60148
630.268.0010 / 1.800.251.2408
FAX 630.916.7890

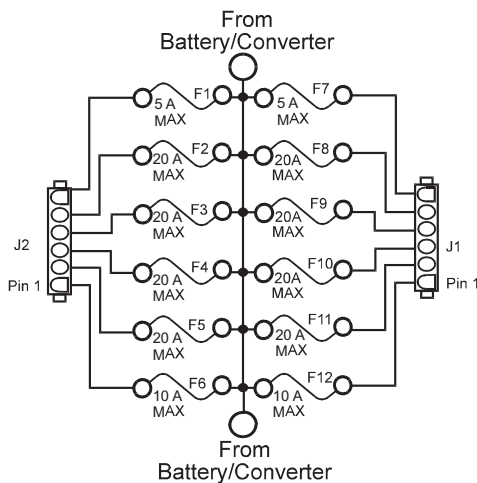
Flush Mount Fuse Block

Intellitec's Flush Mount Fuse Block is intended to provide fused 12 or 24 volt power to a group of accessories in a vehicle. Power is fed into the Block from either a single or dual input connection (depending on the model) and is distributed to each of the twelve fuses. Load connections are made through AMP Mate-N-Lok connectors.

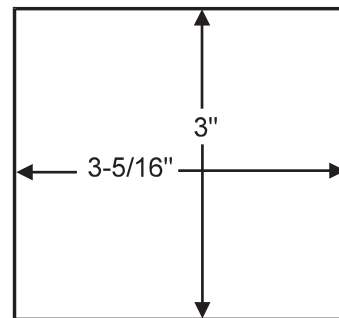
Specifications:

| | |
|----------------------------------|---|
| Model | Single Input |
| Part Number | 00-01032-000 |
| Maximum Continuous Carry Current | 100 Amps <u>Total</u> Max., 15 Amp per Circuit Max. |
| Maximum Ambient Temperature | 185 Degrees F. |
| Minimum Ambient Temperature | -40 Degrees F. |
| Power Feed connection | Connector Collar with Screw (x2), Max 4AWG size |
| Mating Output Connector (6 pin) | AMP 640585-1 |

Schematics:



Panel Cut Out, Min. depth 3" clearance



Intellitec

131 Eisenhower Lane North
Lombard, IL 60148
630.268.0010 / 1.800.251.2408
FAX 630.916.7890

P/N 53-01032-000 Rev. A 072908