

Road Commander Bluetooth Module



Part number: 00-01094-000

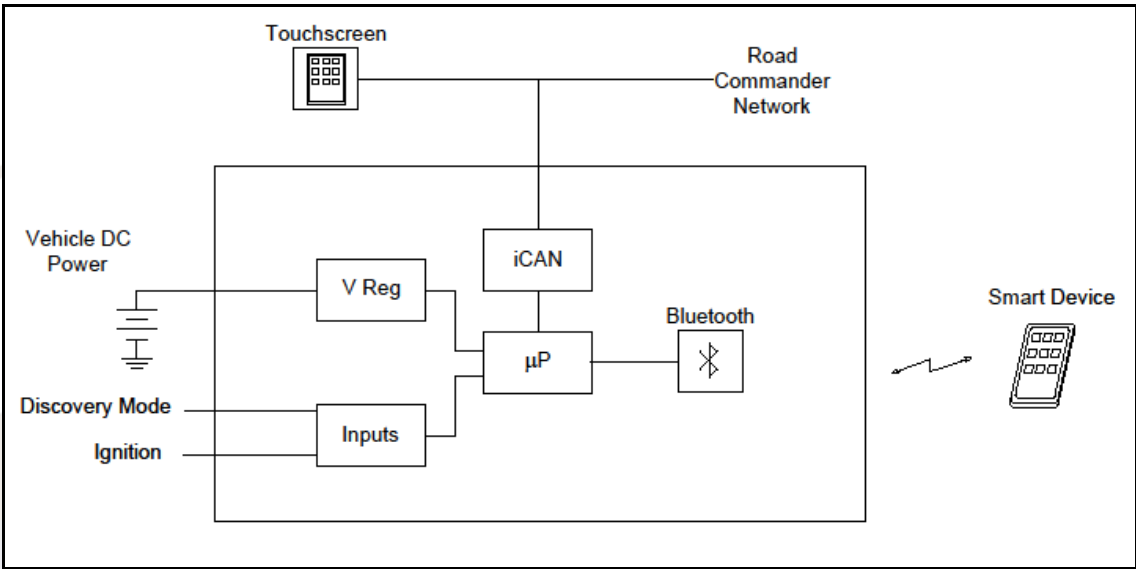


Description:

The Road Commander BT Module provides a wireless access for communicating between smart phones and tablets such as an Android or iOS device and the Road Commander system. The BT Module transmits and receives messages to and from the network and is capable communicating with any device on it. In order to communicate with the BT Module, the user must download the ‘Road Commander’ app from either the iTunes App store or Google Playstore, keyword is Road Commander.

Once the app is installed on the SMART Device, the user will ‘pair’ with the BT Module in order for the installed Road Commander system to recognize and take control of the system. Multiple SMART Devices may have the Road Commander app installed, but only a single SMART Device may be connected at one time. A personalized PIN may be configured once the SMART Device is connected to the BT Module.

The BT module has four available high/low selectable input channels, which can be configured to control outputs on the low current, high current or slide out module. Alternatively the inputs can be used to provide the network with inhibit information or as an external switch to make the Bluetooth module visible for pair. To use this component module for any reason other than what it is designed for may result in damage to the coach and/or cause serious injury or even death.



Typical Arrangement – Ignition & Discovery Input



Product Features

- Automatically synchronizes mobile applications with installed Road Commander modules.
- Provides 2-way communication between your Smart Device and the Road Commander system with instantaneous feedback.
- Allows for operation of installed features when outside of the coach such as deploying slide-outs, awnings, and activating lights.
- On-board indicators show network status and fault codes.
- Automatically connects to mobile application when Road Commander system is in range.
- Various parameters may be configured by installer.
- Control is available by using OEM installed switches, touchscreen LCD panels, and SMART Devices.
- Secure operation.
- 4 configurable inputs and outputs allow for unique application customization.
- Expandable and adaptable to previous model year coaches.

Environmental Specifications

Operating temp: -40/50 deg C (-40/122 deg F)
 Storage temp: -40/125 deg C (-40/260 deg F)
 Intrusion Rating: None
 Agency approvals: None

Electrical Specifications	Unit	Min	Typ	Max
Operating supply voltage	V	10	12	20
Reverse supply voltage	V			-36
Quiescent Current Draw	mA			75
Logic Input Voltage	V	0	12	20

Mechanical Specifications

	Unit	L x W x H
Housing:	Inch	5 x 2 x 1.2
	mm	125 x 51.3 x 24.9
Module Weight:	ounces	5
	grams	136



Harness: Pig-tail and/or terminator part number
 Configurator Adapter Harness 11-01094-012
 12-way Wiring Pig-tail w/ No PMC (J1) 11-01094-112
 12-way Wiring Pig-tail w/ PMC (J1) 11-01094-212

Connector(s): J1, 12-way Molex Mini-Fit Jr.

1	Battery	7	Input 4
2	CAN H	8	IPX +
3	CAN L	9	RS232 TX
4	Input 1	10	RS232 RX
5	Input 2	11	IPX-
6	Input 3	12	DC Ground

Available Product Literature and Guides:

Brochure: 53-01094-000
 Product Specification: 53-01094-001
 User's Guide: 53-01094-100
 Installation and Applications: 53-01094-200
 Supporting Documents: 53-01094-300

Available Accessory Items and Kits:

USB Program Adapter Kit: 10-01079-000

Contact Information: www.intellitec.com

Intellitec Products, LLC 1485 Jacobs Road, DeLand Florida, USA 32724

(386) 738-7307