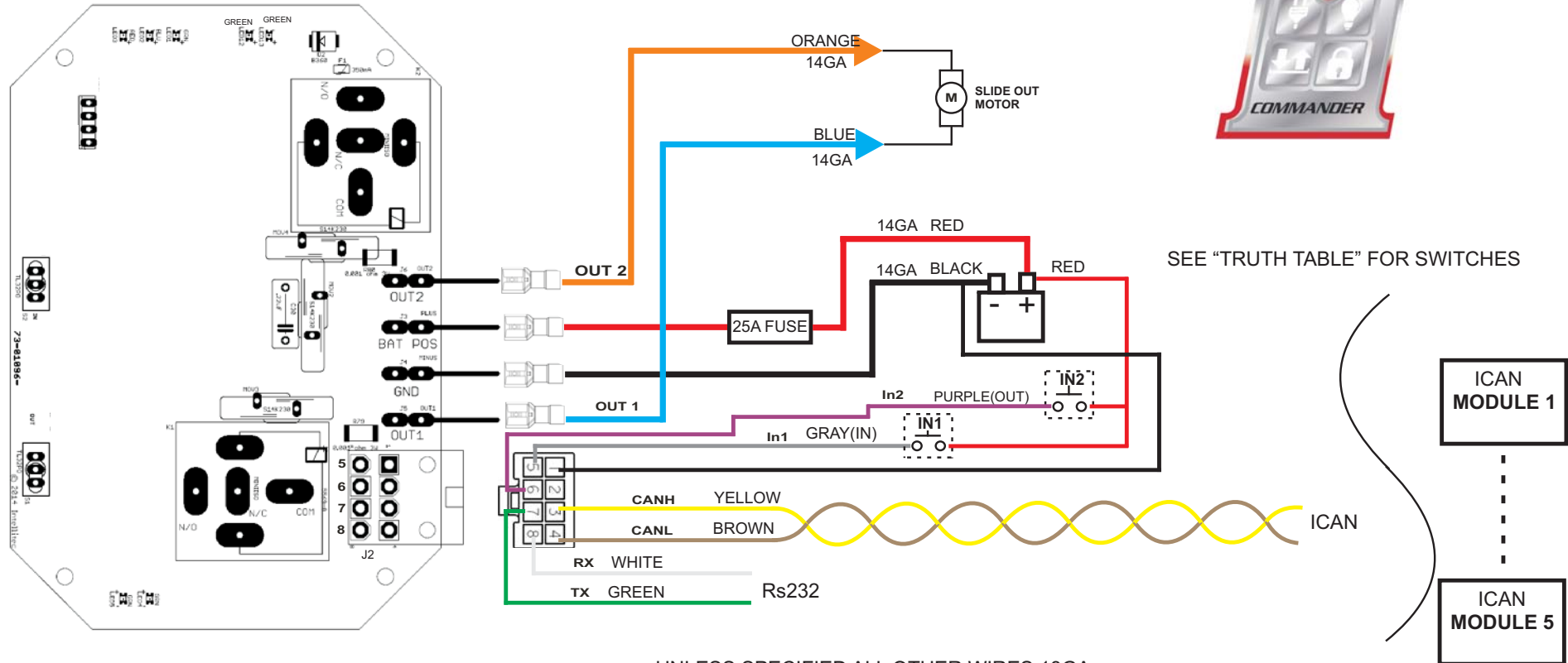




THESE INSTRUCTIONS ARE ONLY TO BE USED AS A GUIDE. IT IS THE INSTALLERS RESPONSIBILITY TO VALIDATE FOR EACH INSTALLATION. NEITHER INTELLITEC PRODUCTS LLC, OR INTELLITEC MV Ltd CAN BE HELD RESPONSIBLE FOR VEHICLE VARIATIONS



"TRUTH TABLE"

SWITCH PUSHED	POLARITY
IN (S2)	BLUE WIRE (OUT 1) BECOMES POSITIVE ORANGE WIRE (OUT 2) BECOMES NEGATIVE
IN1	
OUT (S1)	BLUE WIRE (OUT 1) BECOMES NEGATIVE ORANGE WIRE (OUT 2) BECOMES POSITIVE
IN2	

C	4858	TRUTH TABLE FLIPPED BLUE & ORANGE	MJS	9/14/15
B	NA	RE DID WIRING FOR REV X2 PCB	MJS	10/11/14
A	NA	RELEASE: DeLand Revision	MJS	08/7/14
REV.	ECL #	DESCRIPTION OF CHANGE	BY	DATE



THESE DRAWINGS AND SPECIFICATIONS ARE PROPRIETARY TO INTELLITEC PRODUCTS LLC. AND NEITHER THE DRAWINGS THEMSELVES NOR ANY INFORMATION THEREON MAY BE USED WITHOUT WRITTEN PERMISSION OF INTELLITEC PRODUCTS LLC.

ERO# 1831	DRAWN BY/DATE MJS / 08/7/14	APPROVAL/DATE	WIRING DIAGRAM	
PART DESCRIPTION WIRING DIAGRAM Slideout High Current 1096			PART NUMBER 53-01096-200	