

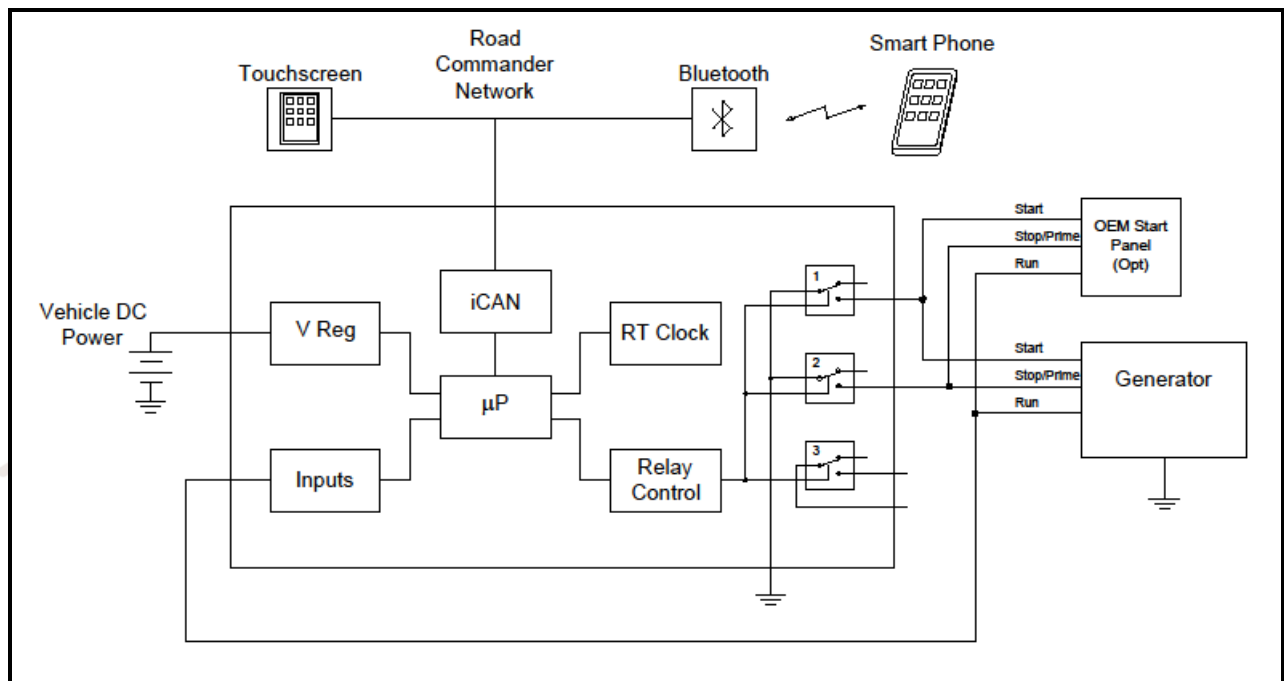
Road Commander Generator Interface

Part number: 00-01108-000



Description:

The 1108 Road Commander generator interface allows a new or existing Road Commander system to remotely start and stop typical recreational vehicle generators. The generator may be operated via external switches, touchscreens, or smart device Bluetooth applications. Additional module inputs provide generator status information. System software provides manual and automatic start, and scheduled "quiet times". Automatic start functions may be enabled based on HVAC demand via the Road Commander HVAC Interface module (00-01105-000) or by vehicle battery voltage via Road Commander System Monitor module (00-01097-000). The generator interface is configurable via PC and supports various generators including models from Onan, Honda, and Kohler.



Typical Arrangement – 3 Wire Momentary Interface



Product Features:

- Selectable automatic start and stop for typical RV generators.
- Compatible with Road Commander 1106 Touchscreen.
- Compatible with SMART phones and tablets via Road Commander 1094 Bluetooth interface.
- Compatible with Road Commander 1105 HVAC module.
- Compatible with conventional remote Start/Stop switches. (Not required)
- Configurable generator interface logic supports several generator brands and models.
- Automatically starts generator if vehicle battery voltage drops below programmed level.
- Automatically starts generator when required for operation of air conditioning or heating. (Requires Road Commander 1105 HVAC module.)
- Retries up to 4 times for generator start failure.
- “Power Present” input prevents unnecessary generator starts.
- Minimum Run-Time setting for air conditioning and heating demand prevents excessive start/stop cycles
- Minimum Run-Time setting for battery charging demand allows control charging routine.
- “Quiet Time” settings prevent operation of generator in violation of local requirements.
- Various parameters may be configured by installer.
- Hour meter tracks total hours, hours since last service, and hours since most recent start.
- On-board indicators show status of all inputs, outputs and network status.

Environmental Specifications

Operating temp: -40/50 deg C (-40/122 deg F)

Storage temp: -40/125 deg C (-40/260 deg F)

Intrusion: None

Agency approvals: None

<u>Electrical Specifications</u>	<u>Unit</u>	<u>Min</u>	<u>Typ</u>	<u>Max</u>
Operating supply voltage	V	10	12	20
Reverse supply voltage	V			-36
Quiescent Current Draw	mA			50
Control Current (Per Output)	A			6
Control circuit voltage	V		12	30
Logic input voltage	V		12	V Batt



Mechanical Specifications

Housing: 5.0 x 3.5 x 1.5 in. / 127 x 89 x 38 mm

Harness: Pig-tail and/or terminator part numbers

Configuration adapter harness	11-01094-012
12-way wiring pigtail (J1)	11-01094-112
8-way wiring pigtail (J2)	11-01105-008
Network terminator, 12-way	11-01105-212

Connectors: J1, 12-way Molex Mini-Fit Jr, Network Connections

1 Battery	7 Input 4
2 iCAN H	8 n/c
3 iCAN L	9 RS232 TX
4 "Power Present" Input	10 RS232 RX
5 "Generator Running" Input	11 n/c
6 "Gen. Start / Stop" Input	12 DC Ground

J2, 8-way Molex Mini-Fit Jr, Generator Interface

1 Relay #1 (typ Start)	5 Gen On / Off Feedback
2 Relay #2 (typ Stop)	6 Gen Control Common 1
3 Gen Control Common 3	7 Gen Control Common 2
4 Relay #3 (typ Preheat)	8 Relay #3 Com

Generator Interface supports the following interface modes:



- 3-Wire Mode
- 2-Wire Momentary
- 2-Wire Maintained
- Portable Mode
- Onan QD Mode

Gen Type	Relay Timing/Operation (RY1/RV2/RV3)	Time Period
<p>QD Mode (default)</p>	<p>RY1 (N.O.)</p> <p>RY2 (N.O.)</p> <p>RY3 (N.O.)</p> <p>GEN RUN PD.</p> <p>T1, T2, T3</p>	<p>T1 = 20 sec.</p> <p>T2 = 4 sec.</p> <p>T3 = 10 sec.</p>
<p>Generator: Quiet Diesel Series (Onan), HDZAA model is not compatible with the AGS-N module - damage may occur.</p>		
<p>3-Wire Mode</p>	<p>RY1 (N.O.)</p> <p>RY2 (N.O.)</p> <p>RY3 (N.O.)</p> <p>GEN RUN PD.</p> <p>T1, T2, T3</p>	<p>T1 = 5 sec.</p> <p>T2 = 2 sec.</p> <p>T3 = 10 sec.</p>
<p>Generators: Marquis, Emerald, and Microquiet (Onan); Quiet Pack Series (Generac).</p>		
<p>Portable Mode</p>	<p>RY1 (N.O.)</p> <p>RY2 (N.O.)</p> <p>RY3 (N.O.)</p> <p>GEN RUN PD.</p> <p>T1, T2, T3</p>	<p>T1 = 2 sec.</p> <p>T2 = 10 sec.</p> <p>T3 = 5 sec.</p>
<p>Generator: EM Series with remote control (Honda).</p>		
<p>2-Wire Momentary Mode</p>	<p>RY1 (N.O.)</p> <p>RY2 (N.O.)</p> <p>RY3 (N.O.)</p> <p>GEN RUN PD.</p> <p>T1, T2</p>	<p>T1 = 2 sec.</p> <p>T2 = 10 sec.</p>
<p>Generator: PT-ECU-63 controller with 2-wires (Powertech).</p>		
<p>2-Wire Maintain Mode</p>	<p>RY1 (N.O.)</p> <p>RY2 (N.O.)</p> <p>RY3 (N.O.)</p> <p>GEN RUN PD.</p> <p>T1, T2</p>	<p>T1 = 4 sec.</p> <p>T2 = 10 sec.</p>
<p>Generators: RMY Series (Kohler); DynaGen controllers.</p>		
<p>2-Wire Standby Mode*</p>	<p>RY1 (N.O.)</p> <p>RY2 (N.O.)</p> <p>RY3 (N.O.)</p> <p>GEN RUN PD.</p> <p>T1, T2</p>	<p>T1 = 4 sec.</p> <p>T2 = 10 sec.</p>
<p>Generators: Two-wire start (does not require gen run voltage signal to Terminal #2).</p>		
<p>5-Wire Mode</p>	<p>RY1 (N.O.)</p> <p>RY2 (N.O.)</p> <p>RY3 (N.O.)</p> <p>GEN RUN PD.</p> <p>T1, T2, T3, T4</p>	<p>T1 = 10 sec.</p> <p>T2 = 14 sec.</p> <p>T3 = 4 sec.</p> <p>T4 = 25 sec.</p>
<p>Generators: BTDA / BEG (Westerbeke), 205-DS (Martin Diesel), NL-673 (Northern Lights).</p>		

Figure 1: Generator Interface Std



Available Product Literature and Guides:

Brochure:	53-01108-000
Product Specification:	53-01108-001
User's Guide:	53-01108-100
Installation and Applications:	53-01108-200
Supporting Documents:	53-01108-300

Available Accessory Items and Kits:

USB Program Adapter Kit:	10-01079-000
--------------------------	--------------

Contact Information: www.intellitec.com

Intellitec Products, LLC 1485 Jacobs Road, DeLand Florida, USA 32724
(386) 738-7307

