

# 30A Fused H-Bridge Module



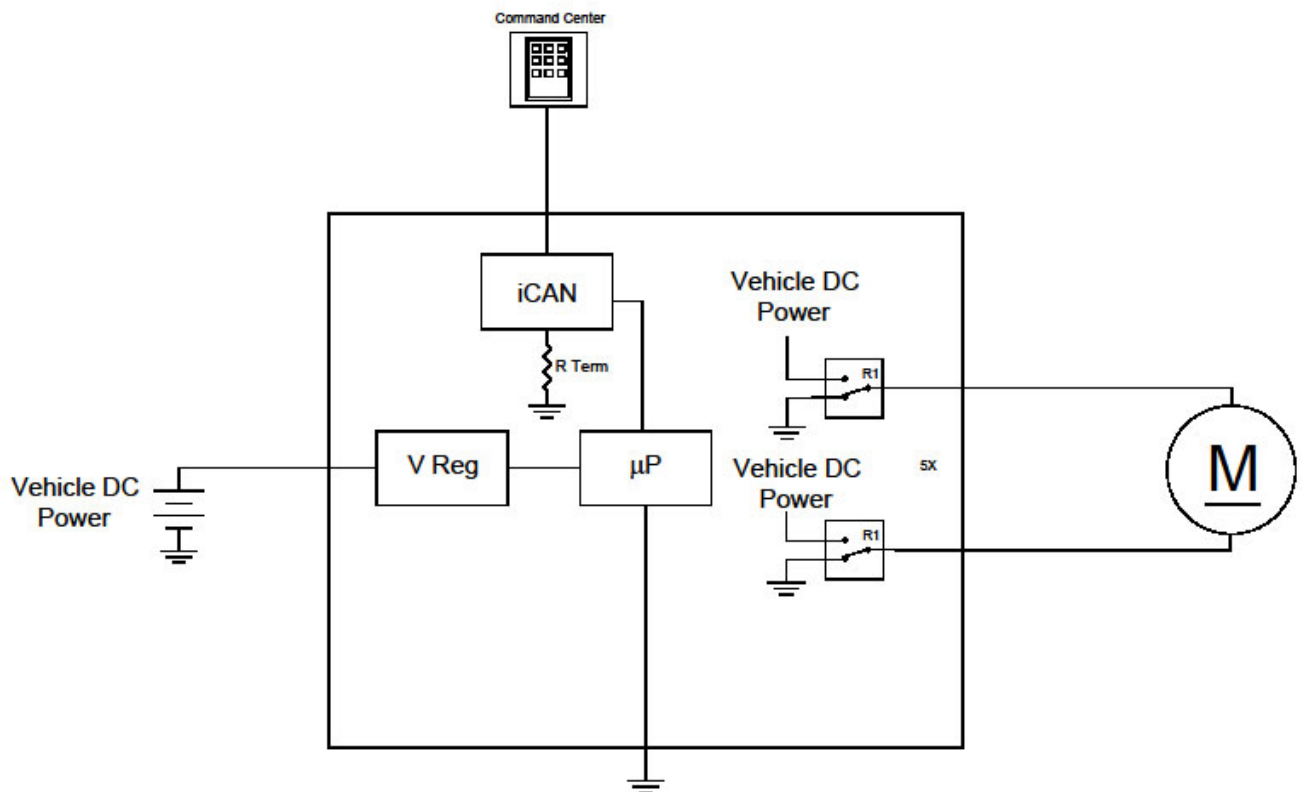
Part number: 00-01116-XYZ

## Description:

The 00-01116-XYZ Module is a 5x H-bridge output module capable of driving 30 amps per output at a time. Each of the H-Bridge outputs are independently fused using standard ATO blade fuses. It is capable of driving ALL 5 H-Bridges up to 5 amps. This allows for the module to be dual purposed as a Slide out control module of a Shade/Awning module. The 1116 receives its control messages using the CAN port on J-15. Its outputs must be driven continuously meaning that the outputs will timeout if otherwise. This is a safety feature to prevent any input from getting stuck and driving the slide out when not requested.

00-01116-000 – Includes on board CAN termination resistor

00-01116-100 – Does not include on board CAN termination resistor



Typical Arrangement

Product Features:

- 5x 30 Amp H-Bridge Outputs
- Independently Fused H-Bridges
- Faston Connectors H-Bridge, Power and Ground
- Fuse holder and Fuse cutouts in lid for easy fuse replacement

Environmental Specifications

Operating temp: -40/50 deg C (-40/122 deg F)  
 Storage temp: -40/125 deg C (-40/260 deg F)  
 Intrusion: None

Agency approvals: None

<u>Electrical Specifications</u>	<u>Unit</u>	<u>Min</u>	<u>Typ</u>	<u>Max</u>
Operating supply voltage	V	10	12	20
Reverse supply voltage	V			-36
Quiescent Current Draw	mA			50
Control Current (Per Output)	A			30
Control circuit voltage	V		12	30

Mechanical Specifications

Housing: 5.45 x 6.23 x 1.78 in. / 138 x 158 x 45 mm

Harness: Pig-tail and/or terminator part numbers

Network Pigtail, 6-way	11-01116-106
Network Pigtail terminator, 6-way	11-01116-206
Programming Adaptor, 6-way	11-01097-006

Connectors: J1, 12-way Molex Mini-Fit Jr, Network Connections

1 Battery	4 RS232 TX
2 iCAN H	5 RS232 RX
3 iCAN L	6 Ground



Available Product Literature and Guides:

Brochure:	53-01116-000
Product Specification:	53-01116-001
User's Guide:	53-01116-100
Installation and Applications:	53-01116-200
Supporting Documents:	53-01116-300

Contact Information: [www.intellitec.com](http://www.intellitec.com)

Intellitec Products, LLC      1485 Jacobs Road, DeLand Florida, USA 32724  
(386) 738-7307

