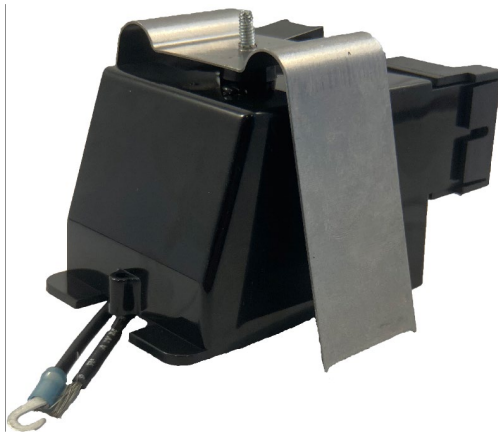


Low Voltage Controlled, 120 VAC Switch Outlet Box

Part number:

00-00957-000, 00-00957-100, 10-00957-000, 10-00957-100



10-00957-XXX
(Includes Mounting Bracket and Screw)



00-00957-XXX

Maximum Current: 20 Amp resistive, 15 Amp General Purpose, TV-3 @ 120 VAC

The Low Voltage Controlled, 120 Volt AC Switched Outlet Box is intended to be an interface between a 12 VDC control signal and a controlled 120-volt AC load. It provides isolation between these two circuits to prevent any shock hazard. The unit is available in two versions, one with normally closed contacts (00-00957-000) and one with normally open contacts (00-00957-100).

One of its typical applications is as a TV interlock for an RV to prevent the front-mounted television from operating while the ignition is turned on. In this application, the normally closed contact version is used to supply the power to the TV. The coil of the relay is fed from an ignition source. When the ignition is turned on, the power to the TV is interrupted, preventing it from operating when the engine is on.

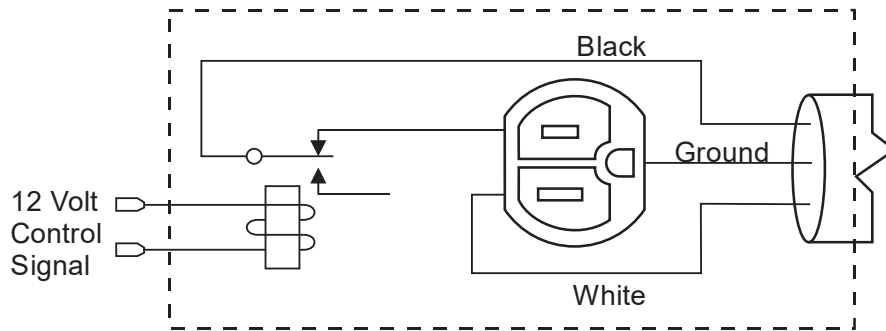
The normally open contact version is typically used to allow the control of a 120 VAC load by a twelve 12 VDC signal. With this version, a 12 VDC signal is applied to coil, the relay then closes applying power to the load.

The unit will mount in a panel up to 3/8" thick. It is intended to be used with 12- or 14-gauge, non-metallic sheathed cable (commonly known as Romex).

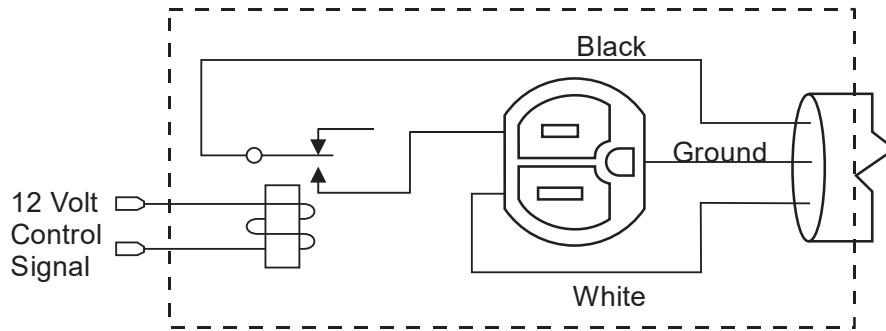
Specifications:

Part Number:	00-00957-000 (Normally-Closed Version) 00-00957-100 (Normally-Open Version) 10-00957-000 With Installation Kit (Includes spring clip and screw) 10-00957-100 With Installation Kit (Includes spring clip and screw) 10-00957-001 Installation Kit
Control Voltage:	12 VDC
Maximum Control Voltage:	15 VDC
Maximum Carry Current:	20 Amps (Resistive), 15Amps (General Purpose), TV-3 @120VAC
Environmental Temperature:	-20 to +40 C
Mounting Environment:	weather protected area

Typical Connection:



Part No. 00-00957-000



Part No. 00-00957-100