

# Road Commander Wireless Module

Part number: 00-01094-000

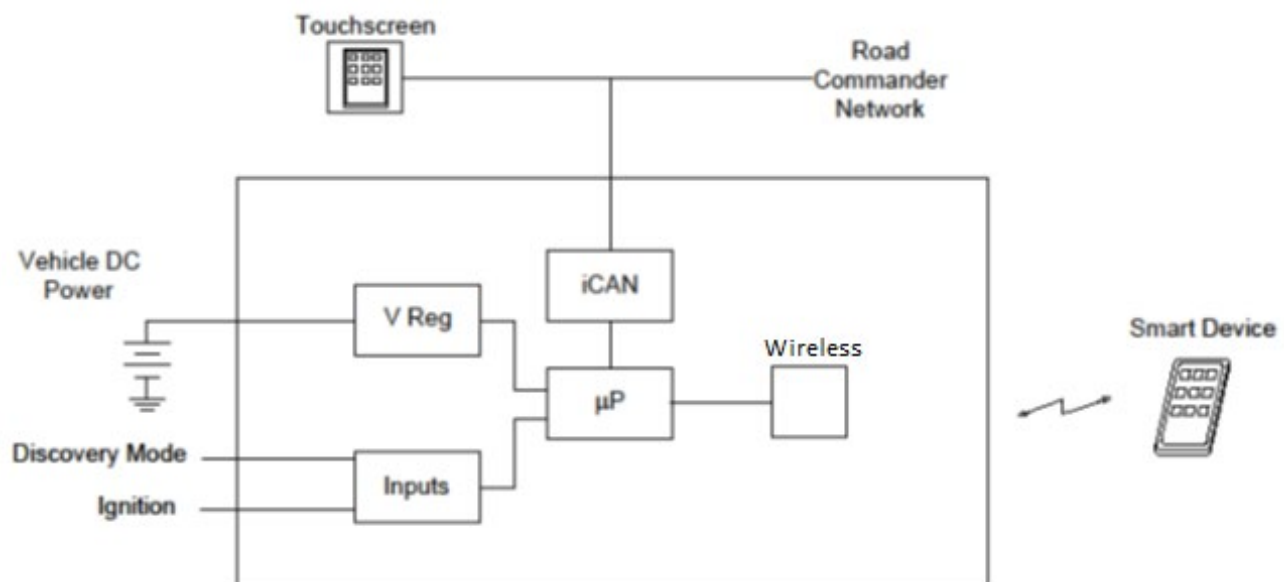


## Description:

The Road Commander Wireless Module provides wireless access for communicating between smart phones and tablets such as an Android or iOS device and the Road Commander system. The Wireless Module transmits and receives messages to and from the network and is capable of communicating with any device on it. In order to communicate with the Wireless Module, the user must download the 'Road Commander' app from either the iTunes App store or Google Play store, keyword is Road Commander.

Once the app is installed on the SMART Device, the user will 'pair' with the Wireless Module for the installed Road Commander system to recognize and take control of the system. Multiple SMART Devices may have the Road Commander app installed, but only a single SMART Device may be connected at one time. A personalized PIN may be configured once the SMART Device is connected to the Wireless Module.

The Wireless Module has four available high/low selectable input channels, which can be configured to control outputs on the low current, high current or slide out module. Alternatively, the inputs can be used to provide the network with inhibit information or as an external switch to make the Wireless Module discoverable when pairing to a new device. To use this component module for any reason other than what it is designed for may result in damage to the coach and/or cause serious injury or even death.



Typical Arrangement – Ignition & Discovery Input

### Product Features

- Automatically synchronizes mobile applications with installed Road Commander modules.
- Provides 2-way communication between your Smart Device and the Road Commander system with instantaneous feedback.
- Allows for operation of installed features when outside of the coach such as deploying slide-outs, awnings, and activating lights.
- On-board indicators show network status and fault codes.
- Automatically connects to mobile application when Road Commander system is in range.
- Various parameters may be configured by the installer.
- Control is available by using OEM installed switches, touchscreen LCD panels, and SMART Devices.
- Secure operation.
- 4 configurable inputs and outputs allow for unique application customization.
- Expandable and adaptable to previous model year coaches.

### Environmental Specifications

Operating Temperature:	-40/50 deg C (-40/122 deg F)
Storage Temperature:	-40/125 deg C (-40/260 deg F)
Intrusion Rating:	None
Agency Approvals:	None

<u>Electrical Specifications</u>	<u>Unit</u>	<u>Min</u>	<u>Typical</u>	<u>Max</u>
Operating Supply Voltage:	V	10	12	20
Reverse Supply Voltage:	V			-36
Quiescent Current Draw:	mA			75
Logical Input Voltage:	V	0	12	20

<u>Mechanical Specifications</u>	<u>Unit</u>	<u>L x W x H</u>
Housing	Inch	5 x 2 1.2
	mm	125 x 51.3 x 24.9
Module Weight	Ounces	5
	Grams	136

Harnesses	Pig-tail and/or terminator part number	
	Configurator Adapter Harnesses	11-01094-012
	12-way Wiring Pig-tail Harness	11-01094-112

Connectors	J1, 12-pin Molex Mini-fit Jr.			
	1	Battery	7	Input 4
	2	CAN H	8	NC
	3	CAN L	9	RS232 TX
	4	Input 1	10	RS232 RX
	5	Input 2	11	NC
	6	Input 3	12	Ground

Available Product Literature and Guides:

Brochure:	53-01094-000
Product Specification:	53-01094-001
User's Guide:	53-01094-100
Installation and Applications:	53-01094-200
Supporting Documents:	53-01094-300

Available Accessory Items and Kits:

USB Program Adapter Kit:	10-01079-000
--------------------------	--------------

Contact Information: [www.intellitec.com](http://www.intellitec.com)

Intellitec Products, LLC 1485 Jacobs Road, DeLand Florida, USA 32724  
(386) 738-7307