

Road Commander System Monitor Module



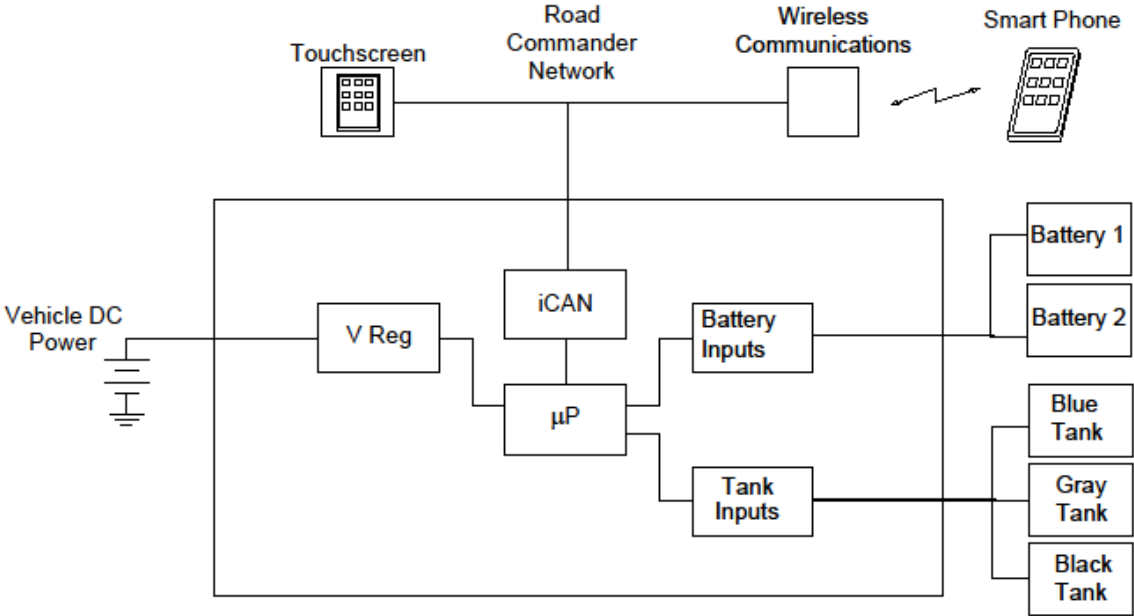
Part number: 00-01097-000



Description:

The Road Commander System Monitor Module provides real time feedback of the vehicles health and status. The module is capable of reading up to four battery banks and four tank levels. This module is not a stand-alone device rather the information is transmitted across the network to be displayed on a mobile device or LCD display. These display devices are assignable to specify which batter and tank each input is tied to. Blue, Gray and Black tanks are supported by the System Monitor module. Multiple Modules may be used in a system if necessary, allowing for a dynamic number of tanks and batteries or for ease of installation.

The System monitor is used in conjunction with the Wireless Communications module in order to communicate the information to a SMART device. The module is internally protected from over-current situations. More specific applications and installation information is available in the service manual for this module. There are no serviceable parts within the System Monitor module. If the module is deemed defective then it must be replaced. Disassembly of the module voids warranty.



Typical Arrangement – 2 Battery Banks, 3 Tanks



Product Features

- 'Sleep mode' minimizes the amount of power consumption when inactive for certain amount of time.
- Provides 2-way communication between your SMART Device and the Road Commander system. Instantaneous feedback.
- Allows for viewing of tanks and battery health when outside or inside of the coach.
- On-board indicators show network status and fault codes.
- Various parameters may be configured by installer.
- Status is available by using OEM installed switches, touchscreen LCD panels, and SMART Devices.
- Expandable and adaptable to previous model year coaches.

Environmental Specifications

Operating temp: -40/50 deg C (-40/122 deg F)
 Storage temp: -40/125 deg C (-40/260 deg F)
 Intrusion Rating: None
 Agency approvals: None

Electrical Specifications	Unit	Min	Typ	Max
Operating supply voltage	V	10	12	20
Reverse supply voltage	V			-36
Quiescent Current Draw	mA			50
Control Current (Per Output)	A	0		0.2
Control Circuit Voltage	V	10	12	20
Logic Input Voltage	V	0	12	20

Mechanical Specifications	Unit	L x W x H
Housing:	Inch	5 x 2 x 1.2
	mm	125 x 51.3x 24.9
Module Weight:	ounces	5
	grams	136
Harness:	Pig-tail and/or terminator part number	
	Configurator Adapter Harness	11-01097-006
	6-way Wiring Pig-tail (J1)	11-01095-106
	8-way Wiring Pig-tail (J3)	11-01095-108



Connector(s): J3, 8-way Molex Mini-Fit Jr.

1	Analog Input 1	5	Analog Input 2
2	Tank Input 1	6	Analog Input 3
3	Tank Input 2	7	Analog Input 4
4	Tank Input 3	8	Tank Input 4

J1, 6-way Molex Mini-Fit Jr.

1	RS232 TX	4	RS323 RX
2	CAN H	5	Ground
3	CAN L	6	Battery

Available Product Literature and Guides:

Brochure:	53-01097-000
Product Specification:	53-01097-001
User’s Guide:	53-01097-100
Installation and Applications:	53-01097-200
Supporting Documents:	53-01097-300

Available Accessory Items and Kits:

USB Program Adapter Kit:	10-01079-000
--------------------------	--------------

Contact Information: www.intellitec.com

Intellitec Products, LLC 1485 Jacobs Road, DeLand Florida, USA 32724

(386) 738-7307

