

Road Commander Generator Interface

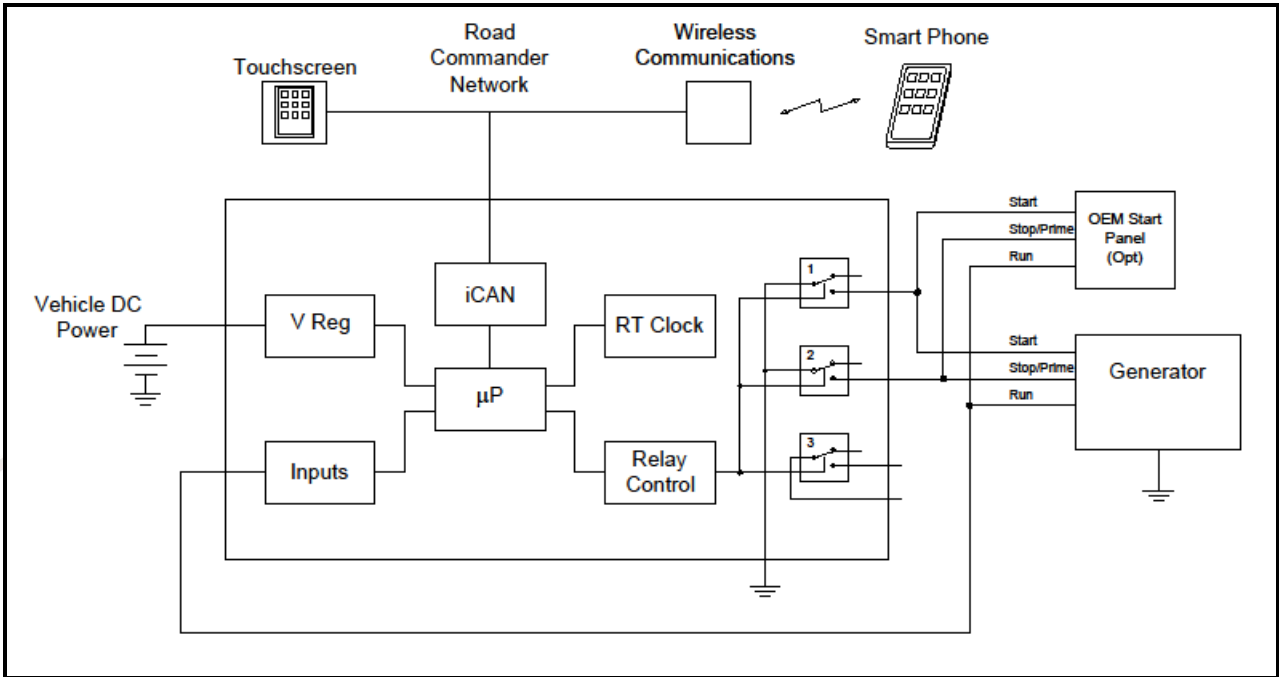


Part number: 00-01108-000



Description:

The 1108 Road Commander generator interface allows a new or existing Road Commander system to remotely start and stop typical recreational vehicle generators. The generator may be operated via external switches, touchscreens, or smart device Wireless Communications applications. Additional module inputs provide generator status information. System software provides manual and automatic start, and scheduled “quiet times”. Automatic start functions may be enabled based on HVAC demand via the Road Commander HVAC Interface module (00-01105-000) or by vehicle battery voltage via Road Commander System Monitor module (00-01097-000). The generator interface is configurable via PC and supports various generators including models from Onan, Honda, and Kohler.



Typical Arrangement – 3 Wire Momentary Interface



Product Features:

- Selectable automatic start and stop for typical RV generators.
- Compatible with Road Commander 1106 Touchscreen.
- Compatible with SMART phones and tablets via Road Commander Wireless Communications interface.
- Compatible with Road Commander 1105 HVAC module.
- Compatible with conventional remote Start/Stop switches. (Not required)
- Configurable generator interface logic supports several generator brands and models.
- Automatically starts generator if vehicle battery voltage drops below programmed level.
- Automatically starts generator when required for operation of air conditioning or heating. (Requires Road Commander 1105 HVAC module.)
- Retries up to 4 times for generator start failure.
- “Power Present” input prevents unnecessary generator starts.
- Minimum Run-Time setting for air conditioning and heating demand prevents excessive start/stop cycles
- Minimum Run-Time setting for battery charging demand allows control charging routine.
- “Quiet Time” settings prevent operation of generator in violation of local requirements.
- Various parameters may be configured by installer.
- Hour meter tracks total hours, hours since last service, and hours since most recent start.
- On-board indicators show status of all inputs, outputs and network status.

Environmental Specifications

Operating temp: -40/50 deg C (-40/122 deg F)
 Storage temp: -40/125 deg C (-40/260 deg F)
 Intrusion: None

Agency approvals: None

Electrical Specifications	Unit	Min	Typ	Max
Operating supply voltage	V	10	12	20
Reverse supply voltage	V			-36
Quiescent Current Draw	mA			50
Control Current (Per Output)	A			6
Control circuit voltage	V		12	30
Logic input voltage	V		12	V Batt



Mechanical Specifications

- Housing: 5.0 x 3.5 x 1.5 in. / 127 x 89 x 38 mm
- Harness: Pig-tail and/or terminator part numbers
 - Configuration adapter harness 11-01094-012
 - 12-way wiring pigtail (J1) 11-01094-112
 - 8-way wiring pigtail (J2) 11-01105-008
 - Network terminator, 12-way 11-01105-212

- Connectors: J1, 12-way Molex Mini-Fit Jr, Network Connections

1	Battery	7	Input 4
2	iCAN H	8	n/c
3	iCAN L	9	RS232 TX
4	“Power Present” Input	10	RS232 RX
5	“Generator Running” Input	11	n/c
6	“Gen. Start / Stop” Input	12	DC Ground

- J2, 8-way Molex Mini-Fit Jr, Generator Interface

1	Relay #1 (typ Start)	5	Gen On / Off Feedback
2	Relay #2 (typ Stop)	6	Gen Control Common 1
3	Gen Control Common 3	7	Gen Control Common 2
4	Relay #3 (typ Preheat)	8	Relay #3 Com



Generator Interface supports the following interface modes:



- 3-Wire Mode
- 2-Wire Momentary
- 2-Wire Maintained
- Portable Mode
- Onan QD Mode
- 5-Wire Mode

Gen Type	Relay Timing/Operation (RY1/RV2/RV3)	Time Period
		T1 = 20 sec. T2 = 4 sec. T3 = 10 sec.
QD Mode (default) Generator: Quiet Diesel Series (Onan), HDZAA model is not compatible with the AGS-N module - damage may occur.		
		T1 = 5 sec. T2 = 2 sec. T3 = 10 sec.
3-Wire Mode Generators: Marquis, Emerald, and Microquiet (Onan); Quiet Pack Series (Generac).		
		T1 = 2 sec. T2 = 10 sec. T3 = 5 sec.
Portable Mode Generator: EM Series with remote control (Honda).		
		T1 = 2 sec. T2 = 10 sec.
2-Wire Momentary Mode Generator: PT-ECU-63 controller with 2-wires (Powertech).		
		T1 = 4 sec. T2 = 10 sec.
2-Wire Maintain Mode Generators: RMV Series (Kohler); DynaGen controllers.		
		T1 = 4 sec. T2 = 10 sec.
2-Wire Standby Mode* Generators: Two-wire start (does not require gen run voltage signal to Terminal #2).		
		T1 = 10 sec. T2 = 14 sec. T3 = 4 sec. T4 = 25 sec.
5-Wire Mode Generators: BTDA / BEG (Westerbeke), 205-DS (Martin Diesel), NL-673 (Northern Lights).		

Figure 1: Generator Interface Stds



Available Product Literature and Guides:

Brochure:	53-01108-000
Product Specification:	53-01108-001
User's Guide:	53-01108-100
Installation and Applications:	53-01108-200
Supporting Documents:	53-01108-300

Available Accessory Items and Kits:

USB Program Adapter Kit:	10-01079-000
--------------------------	--------------

Contact Information: www.intellitec.com

Intellitec Products, LLC 1485 Jacobs Road, DeLand Florida, USA 32724
(386) 738-7307

