

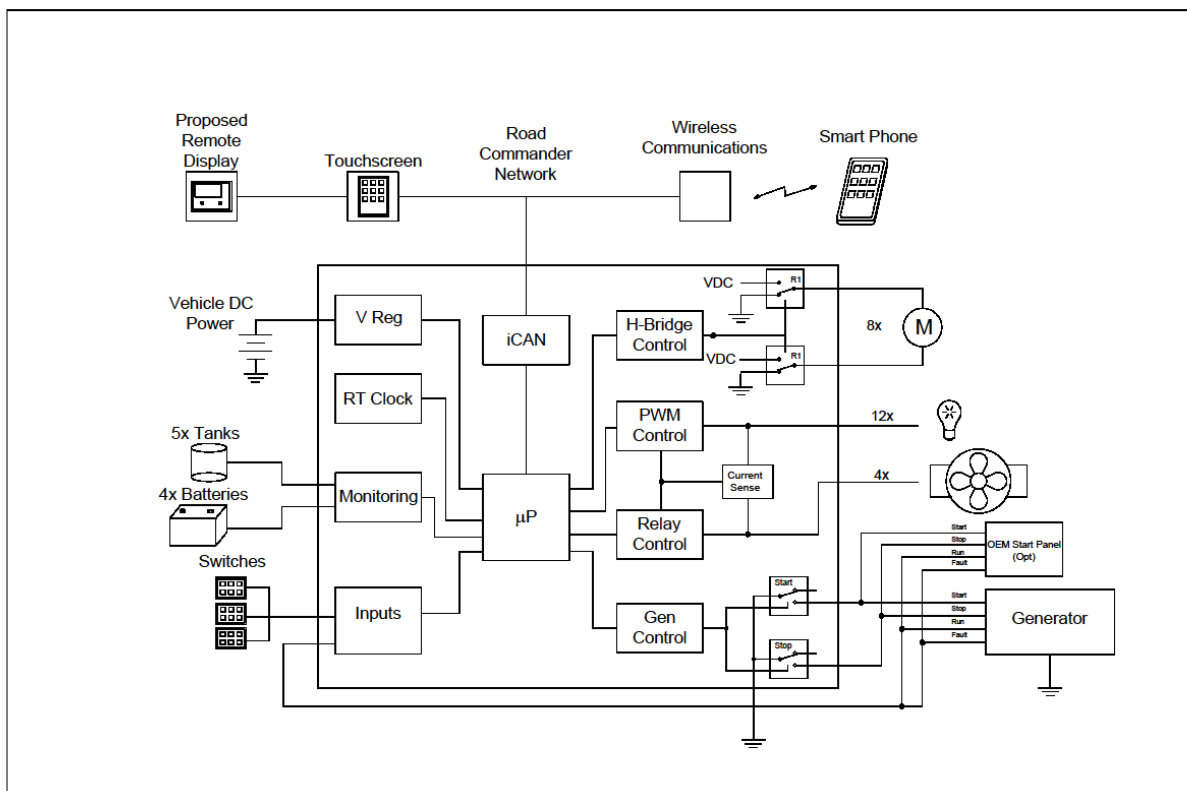
Road Commander Mega Module

Part number: 00-01124-000



Description:

The Road Commander Mega Module is an all in one solution. Combining several of the existing Road Commander modules into one, the Mega Module provides a smaller footprint while maintaining all of the valuable features. This module allows the user the ability to control dimming circuits, high current devices such as water pumpers and heaters, shades, slide outs and generator functions as well as monitor tank levels and batteries. With 26 configurable low side inputs, the Mega Module gives users the options to select which ever switch type preferred. Additionally, an ignition input signal allows outputs to be locked out if so desired. Two 5/16" studs provide easy connections for power and ground, and common Mini-fit and Faston connectors are used across the module to maintain industry standards.



Typical Arrangement – Ignition & Discovery Input



Product Features

- 12x FET outputs with 'Over-current' protection for each output. No additional fusing required.
- PWM controlled FETs allow Module to dim lights.
- 4x High Current relay outputs with 'Over-current' protection for each output.
- Outputs can be set to momentary or latching and have over current shut down parameters.
- 26x low side addressable inputs.
- 6x H-Bridge outputs that can be simultaneously or independently controlled.
- 2x H-bridge independently controlled.
- Allows for viewing of up to 5 tanks (4 water, 1 LPG) and 4 batteries.
- Compatible with Road Commander 1105 HVAC module.
- Configurable generator interface logic supports several generator brands and models.
 - Selectable automatic start and stop for typical RV generators.
 - Retries up to 4 times for generator start failure.
 - Minimum Run-Time setting for air conditioning and heating demand prevents excessive start/stop cycles
 - Minimum Run-Time setting for battery charging demand allows control charging routine.
 - "Quiet Time" settings prevent operation of generator in violation of local requirements.
 - Hour meter tracks total hours, hours since last service, and hours since most recent start.
- 'Sleep mode' minimizes the amount of power consumption when inactive for certain amount of time.
- On-board indicators show network status and fault codes.
- Various parameters may be configured by installer.
- Control is available by using OEM installed switches, touchscreen LCD panels, and SMART Devices.
- Expandable and adaptable to previous model year coaches.

Environmental Specifications

Operating temp: -40/50 deg C (-40/122 deg F)
 Storage temp: -40/125 deg C (-40/260 deg F)
 Intrusion Rating: None
 Agency approvals: None



Electrical Specifications	Unit	Min	Typ	Max
Operating supply voltage	V	10	12	20
Reverse supply voltage	V			-36
Quiescent Current Draw	mA			200
Logic Input Voltage	V	0	12	20

Mechanical Specifications	Unit	L x W x H
Housing:	Inch	11.5 x 7.5 x 1.5
	mm	292.1 x 190.5x 38.1
Module Weight:	ounces	36.8
	grams	1043.26
Harness:	Pig-tail and/or terminator part number	
	Configurator Adapter Harness	11-01094-012
	12-Wire Network Terminator Harness	11-01105-212
	12-Wire Pigtail Harness	11-01124-012
	16-Wire Pigtail Harness	11-01124-016
	18-Wire Pigtail Harness	11-01124-018
	10-Wire Pigtail Harness	11-01124-010
	12-Wire Pigtail Harness	11-01124-004
	4-Wire Network Terminator Harness	11-01124-104
6-Wire Pigtail Harness	11-01124-006	

Connector(s): J24, 12-way Molex Mini-Fit Jr.

1	Power (1A)	7	N/C
2	iCAN H	8	N/C
3	iCAN L	9	RS232 TX
4	N/C	10	RS232 RX
5	N/C	11	N/C
6	N/C	12	Ground (1A)

J1, 12-way Molex Mini-Fit Jr.

1	Output 1 (Dimmable) (3A)	7	Output 7 (Dimmable) (3A)
2	Output 2 (Dimmable) (3A)	8	Output 8 (Dimmable) (3A)
3	Output 3 (Dimmable) (3A)	9	Output 9 (Dimmable) (3A)
4	Output 4 (Dimmable) (3A)	10	Output 10 (Dimmable) (3A)
5	Output 5 (Dimmable) (3A)	11	Output 11 (Dimmable) (3A)
6	Output 6 (Dimmable) (3A)	12	Output 12 (Dimmable) (3A)



J29, 16-way Molex Mini-Fit Jr.

1	Relay 1 Output (5A) (H-Bridge 1)	9	Relay 2 Output (5A) (H-Bridge 1)
2	Relay 3 Output (5A) (H-Bridge 2)	10	Relay 4 Output (5A) (H-Bridge 2)
3	Relay 5 Output (5A) (H-Bridge 3)	11	Relay 6 Output (5A) (H-Bridge 3)
4	Relay 7 Output (5A) (H-Bridge 4)	12	Relay 8 Output (5A) (H-Bridge 4)
5	Relay 9 Output (5A) (H-Bridge 5)	13	Relay 10 Output (5A) (H-Bridge 5)
6	Relay 11 Output (5A) (H-Bridge 6)	14	Relay 12 Output (5A) (H-Bridge 6)
7	Relay 13 Output (5A) (H-Bridge 7)	15	Relay 14 Output (5A) (H-Bridge 7)
8	Relay 15 Output (5A) (H-Bridge 8)	16	Relay 16 Output (5A) (H-Bridge 8)

J27, 18-way Molex Mini-Fit Jr.

1	Input 1	10	Input 10
2	Input 2	11	Input 11
3	Input 3	12	Input 12
4	Input 4	13	Input 13
5	Input 5	14	Input 14
6	Input 6	15	Input 15
7	Input 7	16	Input 16
8	Input 8	17	Input 17
9	Input 9	18	Input 18

J26, 10-way Molex Mini-Fit Jr.

1	Input 19	6	Input 24
2	Input 20	7	Input 25
3	Input 21	8	Input 26
4	Input 22	9	Input 27 (Generator Feedback)
5	Input 23	10	Input 28 (Ignition Feedback)

J28, 14-way Molex Mini-Fit Jr.

1	Analog 1	8	Tank 4
2	Analog 2	9	Tank LPG
3	Analog 3	10	Input 12
4	Analog 4	11	Input 13
5	Tank 1	12	N/C
6	Tank 2	13	N/C
7	Tank 3	14	N/C



J25, 4-way Molex Mini-Fit Jr.

1	RV-C H	3	N/C
2	RV-C L	4	N/C

J3, 6-way Molex Mini-Fit Jr.

1	Gen Start	4	Start Com
2	Gen Stop	5	Stop Com
3	Isolator Relay	6	Isolator Com

J17, Faston	Output 17 (Relay) (20A)
J18, Faston	Output 18 (Relay) (20A)
J19, Faston	Output 19 (Relay) (20A)
J20, Faston	Output 20 (Relay) (20A)



Available Product Literature and Guides:

Brochure:	53-01124-000
Product Specification:	53-01124-001
User's Guide:	53-01124-100
Installation and Applications:	53-01124-200
Supporting Documents:	53-01124-300

Available Accessory Items and Kits:

USB Program Adapter Kit:	10-01079-000
--------------------------	--------------

Contact Information: www.intellitec.com

Intellitec Products, LLC 1485 Jacobs Road, DeLand Florida, USA 32724
(386) 738-7307

