

Big Boy Varistor Installation Notes

Last Revised: 4/21/23

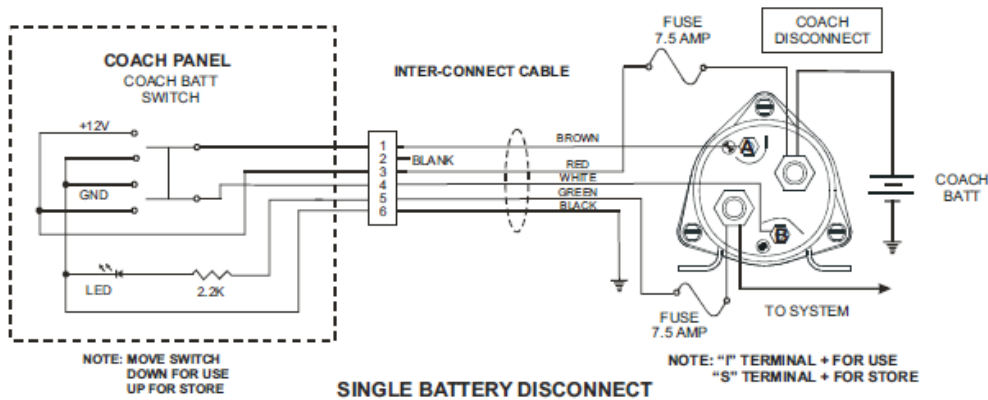
Suspect Part Number: 00-00507-5xx/-7xx

Fault Symptom: Varistor Assembly installation 49-000507-120

Associated Manual: 53-00507-000

Status of replacement parts: Active

The purpose of the part is to suppress back EMF when the contactor in the Big Boy relays opens. Attach



Connect the Varistor leads between the coil terminals, A and B. No polarity observed.

