

HD Battery Guard® 1000 (RV-C)

Part number: 00-01153-000

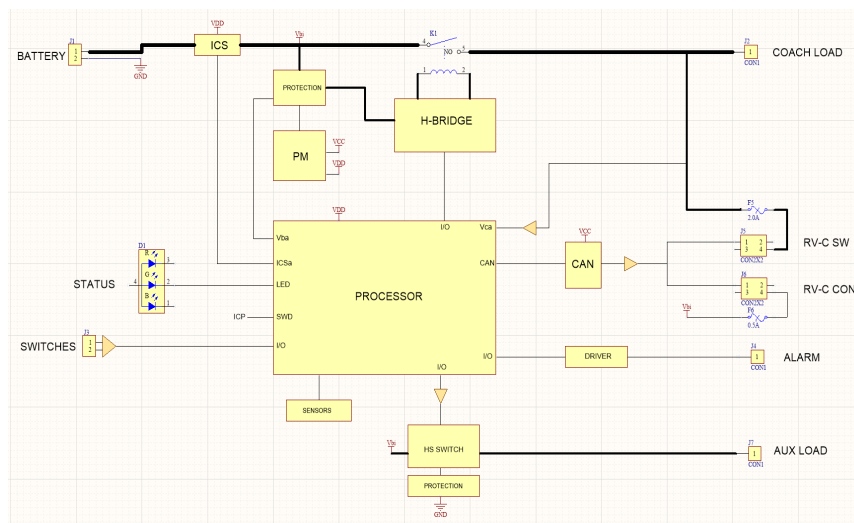


Description:

The HD Battery Guard® 1000 or HD BG1K RV-C is a battery disconnect and DC power management device. It has 3 primary functions:

1. Protecting the battery's integrity by automatically disconnecting DC loads when battery voltage is getting to low
2. Manage power to DC loads by automatically reconnecting when safe battery voltage is present
3. Provide DC system information such as voltage and current through the device for real time monitoring and analysis

The primary disconnect uses Intellitec's 250A Latching Battery Disconnect Relay. The auxiliary bypass output supports up to 2A and is independently controlled from the primary disconnect. Unique to this Battery Guard is the over-current shutdowns which provide additional safety and protection for the vehicles electrical system. The HD BG1K RV-C includes features such as automatic disconnect and reconnect, manual disconnect and reconnect, alarm output status and fault indication. Designed with independent disconnects and 2 RV-C communication ports, one switched power and one constant power, advanced electrical systems can be created maximizing system power efficiency. With the RV-C ports the module can provide vital information about the battery levels and power consumption, system healthy, status and more on the network to provide the end user with real-time feedback about how their vehicle's electrical system is operating.



Block Diagram

PRODUCT SPECIFICATION

53-01153-001



Intelligent Use of Technology

Product Features

- 250 Amp continuous load capacity for primary disconnect
- Mechanically latching requires no current draw to maintain state
- Configurable parameters to work with all battery types
- Automatic low voltage disconnect and reconnect capability
- Inhibit feature to prevent unintended disconnects
- Disconnect and reconnect verification with automatic retry
- Low side switch input toggles between connected and disconnected state
- 300 mA high-side alarm output for indicating disconnected, reconnected, and low voltage state
- Industry standard connectors for easy installation
- Ignition Proof
- 2 Amp Auxiliary disconnect bypass for critical loads with unique low voltage parameters
- Load current monitoring for both primary and auxiliary disconnects
- Dual RV-C Communication ports (1 switched voltage, 1 constant voltage)
- State of Charge can be provided by smart batteries via RV-C for more accurate remaining capacity readings

Environmental Specifications

Operating temp:	-20/50 deg C	(-24/122 deg F)
Storage temp:	-40/85 deg C	(-40/185 deg F)
Intrusion Rating:	None	

Electrical Specifications	Unit	Min	Typ	Max
Operating supply voltage	V	9	12	18
Reverse supply voltage	V			-30
Quiescent Current Draw	mA			1
Operating Current Draw	mA			10
Logic Input Voltage	V	0	12	18
Mechanical Specifications	Unit	L x W x H		

Housing:	Inch	2.53 x 4.02 x 3.52		
	mm	64.26 x 102.11 x 89.41		
Module Weight:	oz	14.4		
	g	408.23		

Available Product Literature and Guides:

Brochure:	53-01153-000
Product Specification:	53-01153-001
User's Guide:	53-01153-100
Installation and Applications:	53-01153-200
Integrators Guide:	53-01153-300

Contact Information: www.intellitec.com

Intellitec Products, LLC 1485 Jacobs Road, DeLand Florida, USA 32724
(386) 738-7307